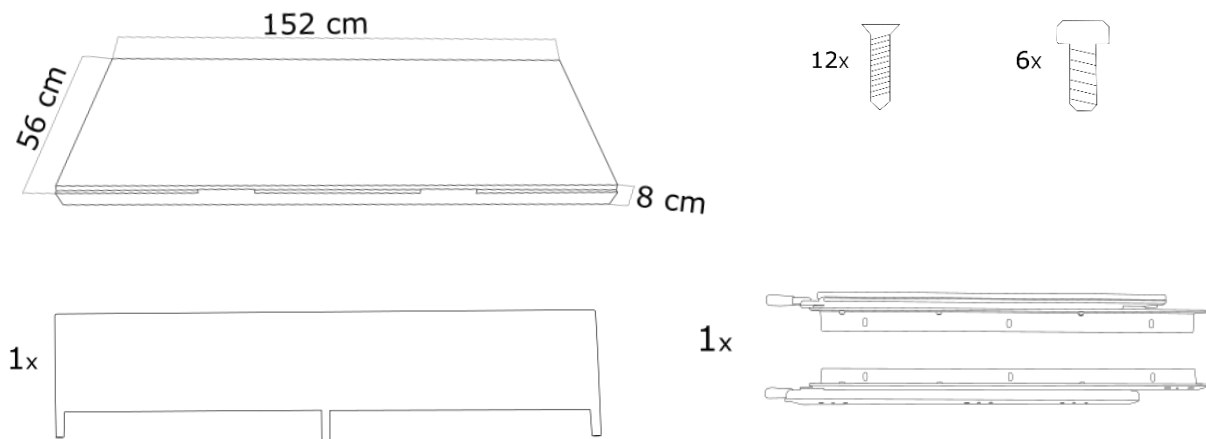


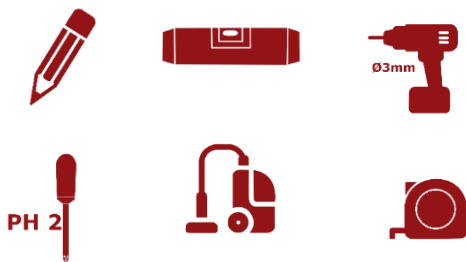
## Smart Bunk

Make room for the little one in the family when you are on a trip in the Hero Camper. This flexible shelf can be used as an extra bed for a small child or for storage. The smart bunk provides a good sleeping base for a small child and is minimalist designed. On each side of the bunk there is a locking mechanism to keep the bunk locked when driving so that the shelf does not suddenly open. At the same time, the bunk can also be locked when it is fully unfolded and in use, so the child is guaranteed a pleasant night's sleep without the shelf suddenly closing.

### Layout



### Tools For Installation

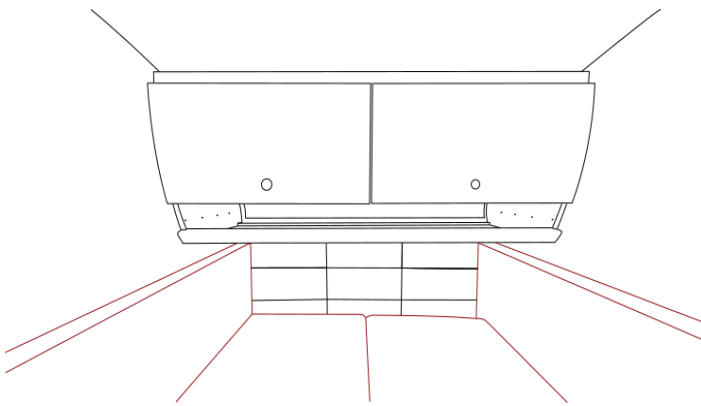


### Specifications

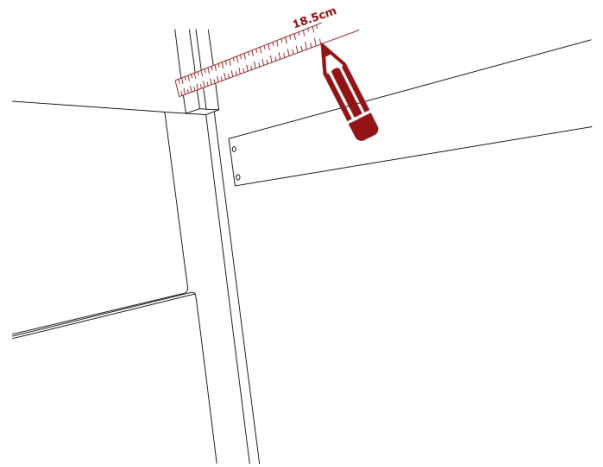
Material	Aluminium
Color	Black
Size(LxWxH)	152x56x31cm
Weight	17.5 kg
Max load	60 kg
Product No.	HC.0056.A

## Installation Guide

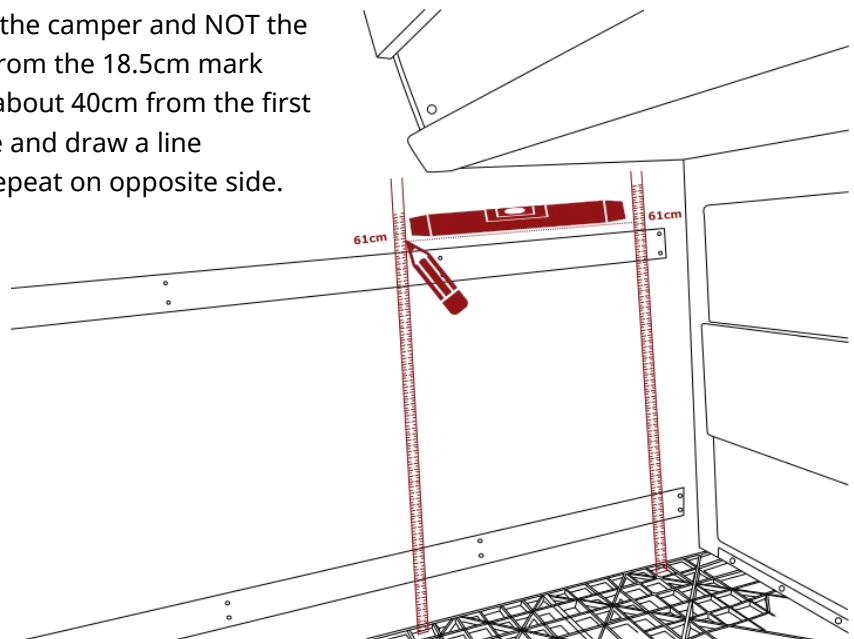
1. Remove mattress and side panels.  
Panels are mounted with velcro but be gentle when dismounting.



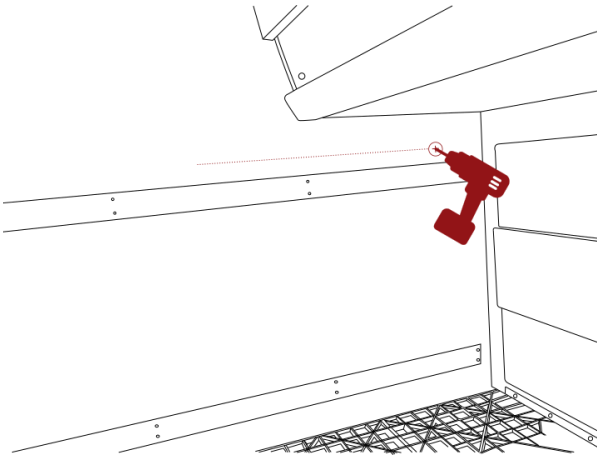
2. Measure from wall of the camper and NOT the cable tray. Draw a line at 18.5cm. Repeat on opposite side.



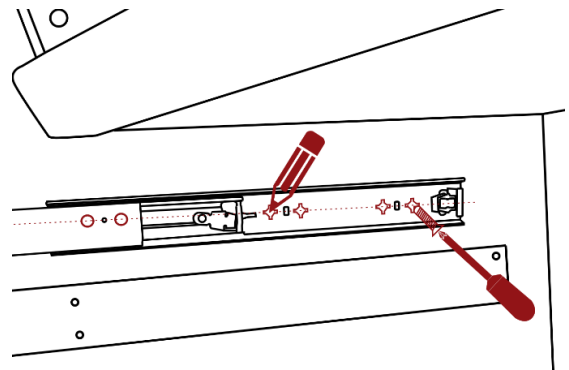
3. Measure from the floor of the camper and NOT the grid. Draw a line at 61cm from the 18.5cm mark and measure again 61cm about 40cm from the first mark. Use the leveling rule and draw a line between those 2 points. Repeat on opposite side.



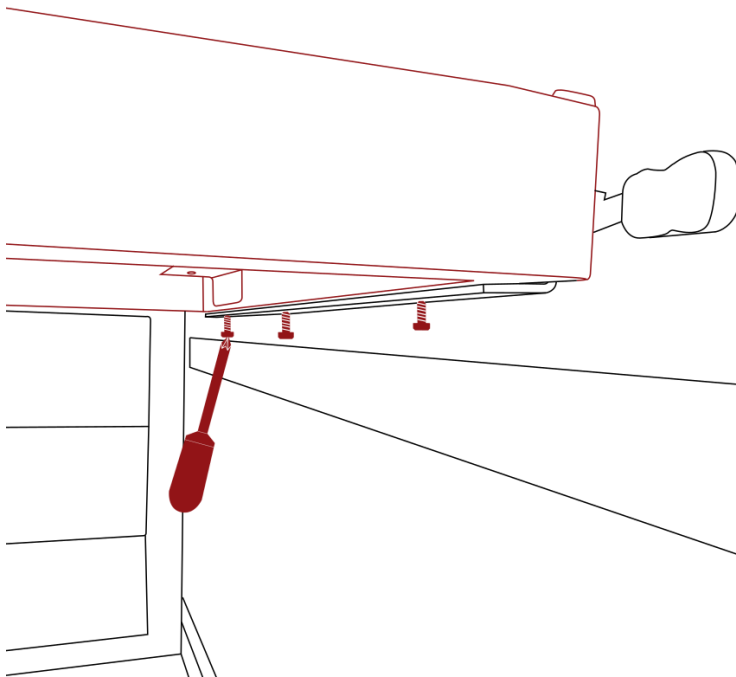
- 4.** Use a Ø3mm drill and drill the mark. Only drill through first layer of the camper which is approximately 3mm thick.



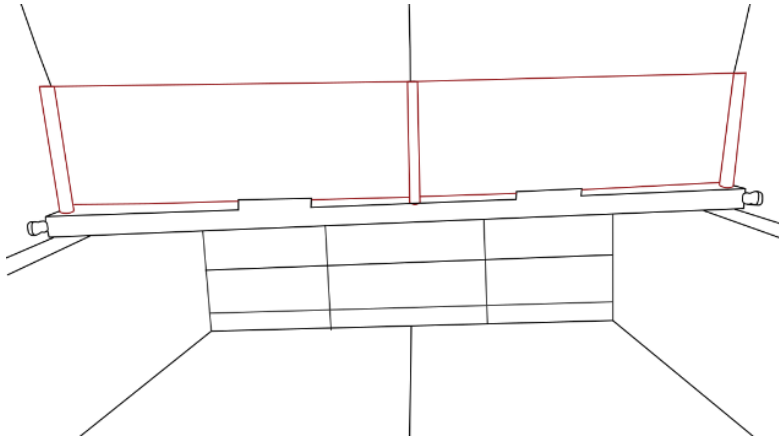
- 5.** Place the rail(L/R) and then place the screw in the first hole. Before it is fully tightened, adjust the predrilled hole with markings with your line. Now mark the 5 remaining holes and drill as previous described. Repeat on opposite side.



- 6.** Start vacuuming to remove any shavings there may be on the rails. Place the bed on the rails. Insert the 6 bolts. Before tightening make sure the bed is correctly placed.

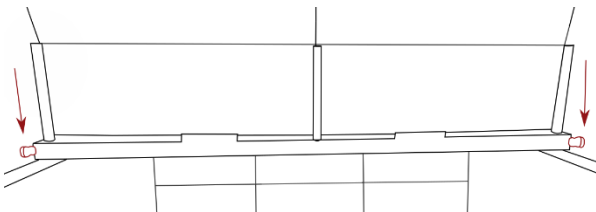


7. Place the end cover in the holes of the bed by hand. Remount the side panels and mattress.

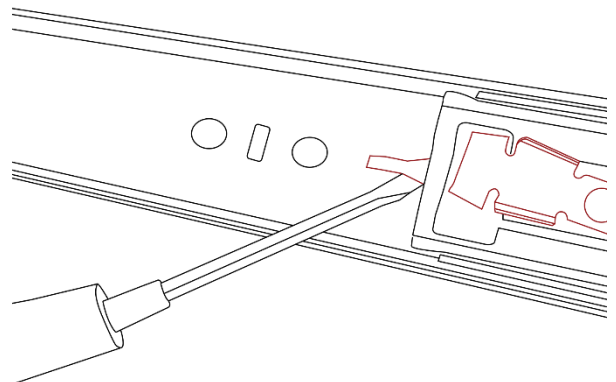


## Trouble Shooting

To unfold the bed, push the blue release handle in each side and pull.



If the bed won't lock when pushed back, please ensure the measurements are correct as described in the guide. If correct, then locking mechanism can be adjusted with a flatheaded screwdriver.



**All products that are not mounted by an authorized #HeroCamper dealer are at your own risk!**