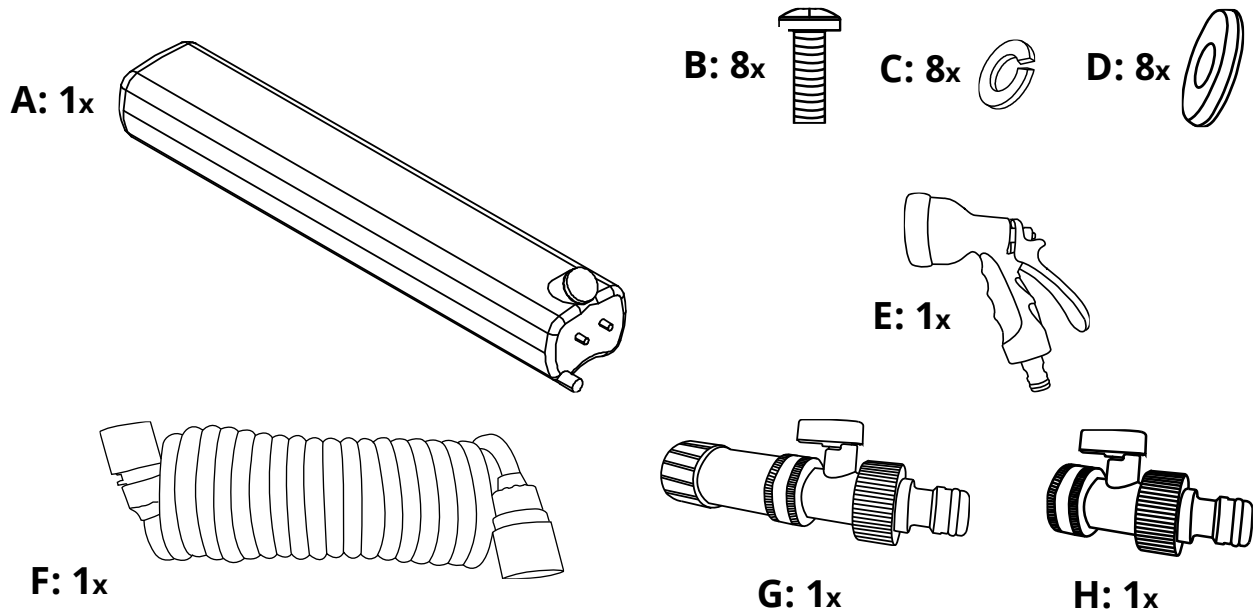


WEEKENDER WATER TANK 30L

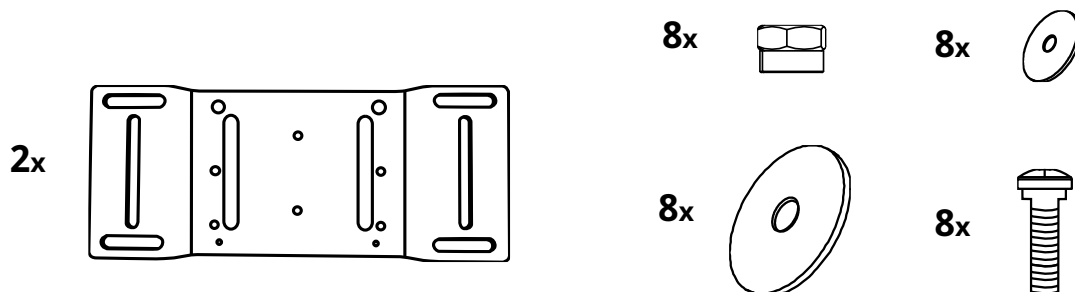
30-liter water tank with 4.5m long elastic water hose, which is ideal when you are outdoor for some time. Use it as an outdoor shower, for cleaning, as a flushing device and whenever you need pressurized water. The water tank and hose are both made of BPA free plastic, so the container can also be used for drinking water.

COMPONENTS

Package 1

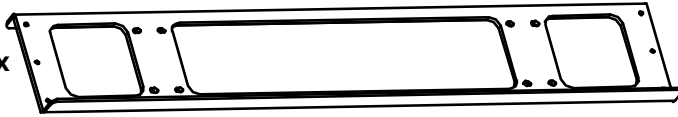


Please note this is not needed for installation on HeroCamper.

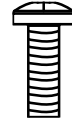


Package 2

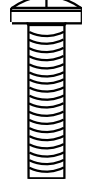
I: 1x



J: 8x

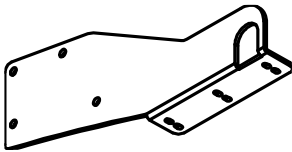


K: 8x

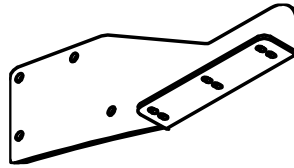


Please see Step 1

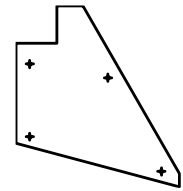
L: 1x



M: 1x



N: 1x



O: 6x



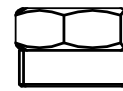
P: 6x



Q: 6x



R: 8x



S: 16x



A: Weekender Water Port **B:** Buttonhead 19.4 x Ø7.75mm Hex 7/32" **C:** Spring washer Ø14.5mm **D:** Washer with rubber Ø22mm **E:** Water spray gun **F:** Water hose **G:** Ball Valve water hose **H:** Ball valve Weekender Water Port **I:** Middle bracket **J:** Buttonhead M10x37 TX45 **K:** Buttonhead M10x67 TX45 **L:** Left racket **M:** Right racket **N:** Drill template **O:** Washer Ø12 **P:** Countersunk bolt M6x20 **Q:** Lock nut M6 **R:** Lock nut M10 **S:** Washer Ø20

TOOLS FOR INSTALLATION



M17

M10



7/32"



TX 30



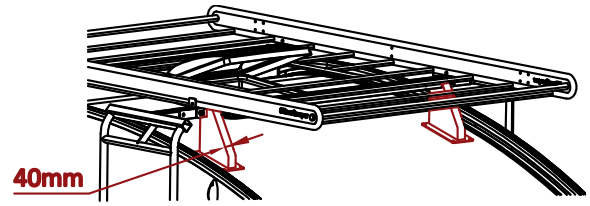
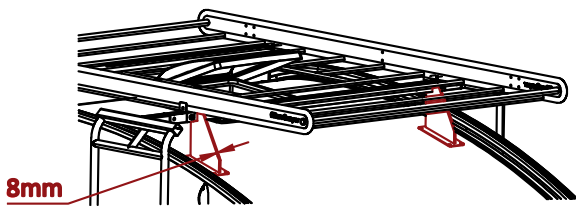
TX45



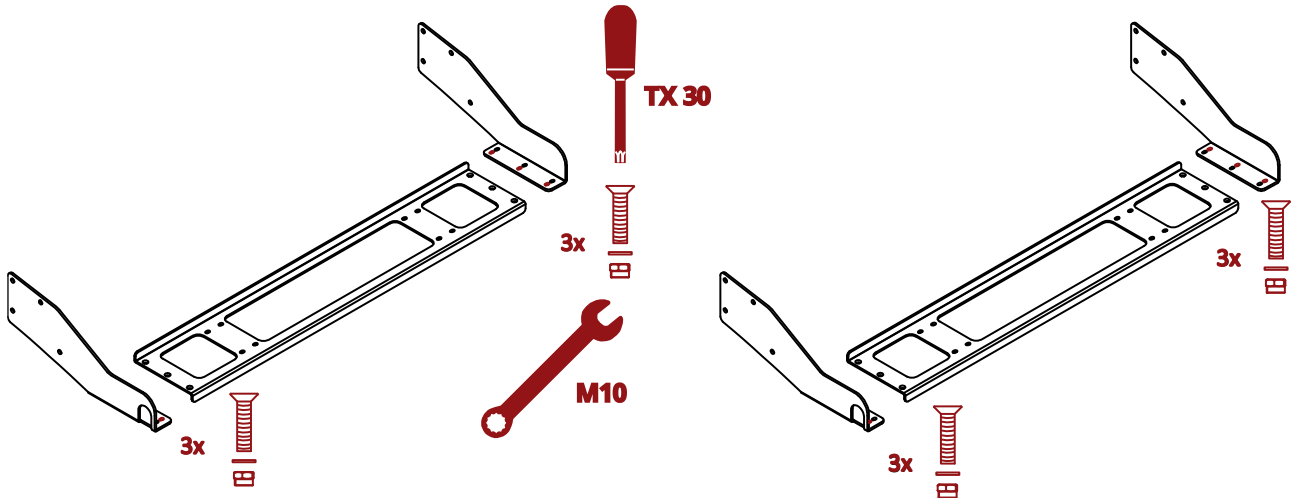
Ø10.5mm

INSTALLATION GUIDE

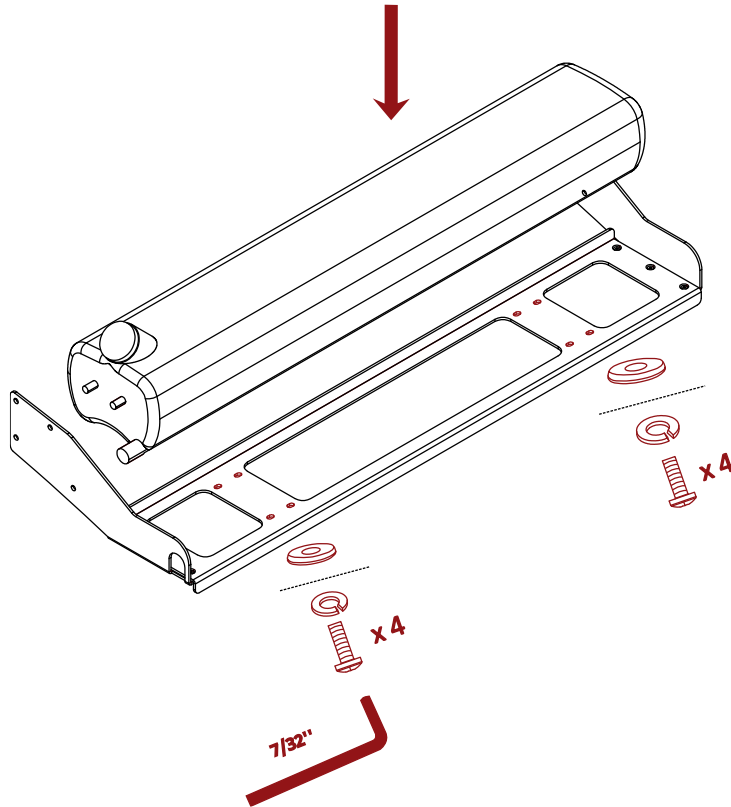
1. To see if you have the current version or the previous version of the roof rack, please measure the brackets that holds the roof rack. Bolt **J** will be for the current version and bolt **K** will be for the previous version.



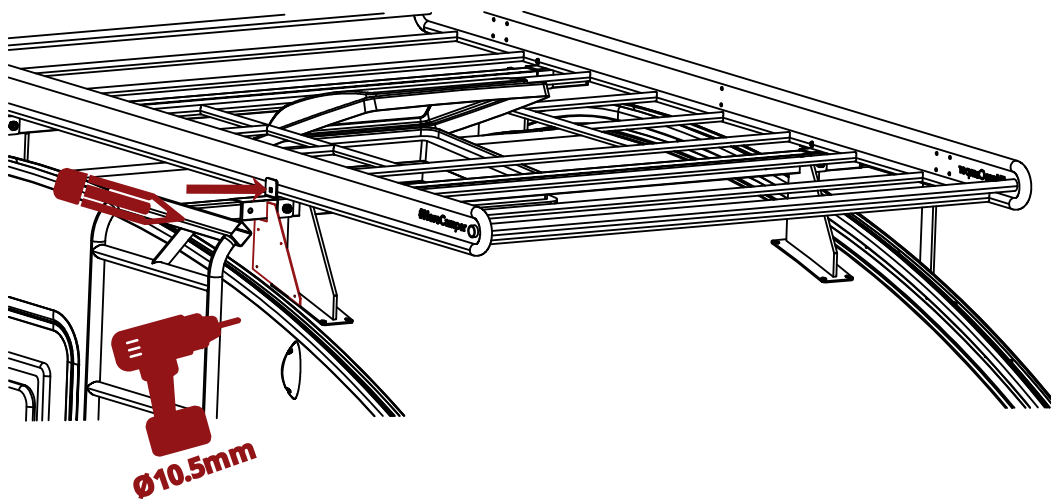
2. Depending on which version you have you will need to use the holes that creates the shortest distance for the current version and longest distance for the previous version. (Part used: I, L, M, O, P, and Q)



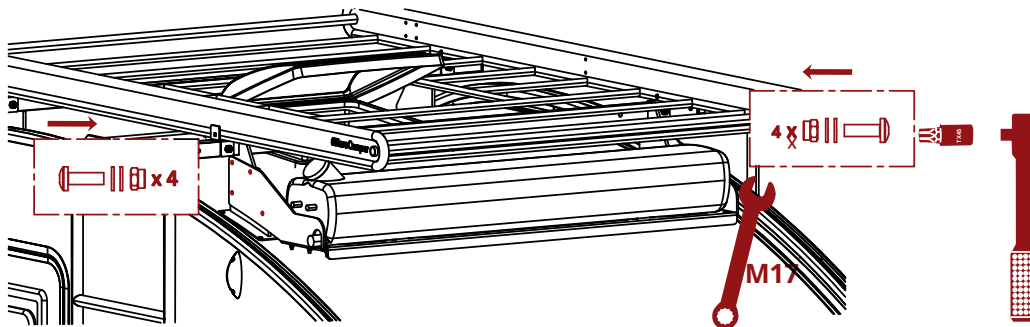
- Place the Weekender Water Port onto the bracket and bolt it together. Please be careful not to overtighten the bolts. The Washer With Rubber Ø22mm should be placed directly under the Water Port and with the rubber facing up against the Water port. (Part used: B, C and D)



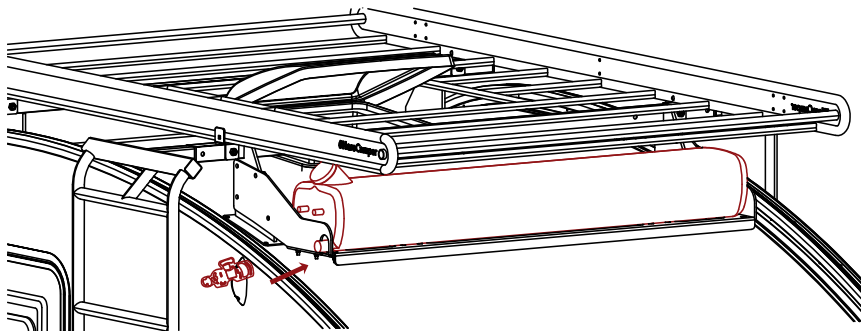
- Place the drilling template onto the roof rack bracket and mark the holes with a pencil. Use a Ø10.5mm Drill and drill the holes. Repeat on the opposite site. (Part used: N)



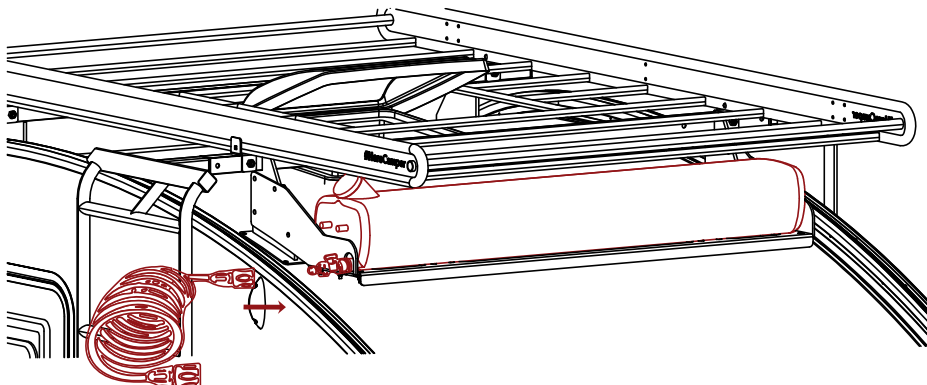
5. Mount the Weekender Water Port with the bracket and insert the bolt like illustrated below. Use the ratchet with a TX45 socket and a M17 wrench to counter hold. Please be careful not to drop the Weekender Water Port or scratch the camper. (Part used: J or K – see step 1, R and S)



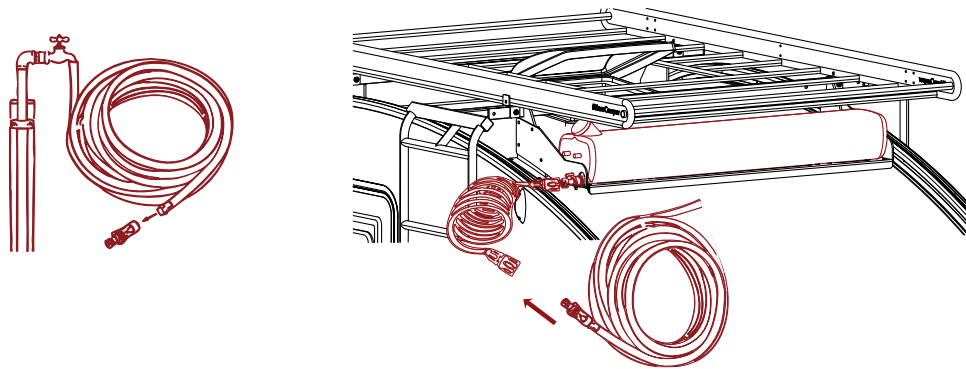
6. Mount the Ball Valve Weekender Water Port. Tighten the collar and not the valve itself. Please ensure not to overtighten it. (Part used: H)



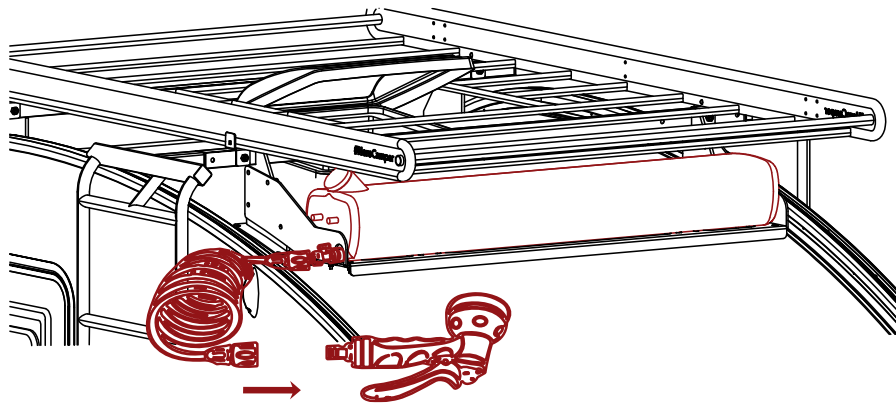
7. Mount the Water Hose. Ensure it clicks and are inserted properly. (Part used: F)



8. Mount the Ball Valve for the water hose if needed. Connect the two hoses and open the valve for the weekender water port. Then open for the water to self-pressurize the water tank. You can manually pressurize the water tank with an extern pump. Do not exceed 40 psi. (Part used: G)



9. Finally mount the Water Spray Gun to the Water Hose. (Part used: E)



All products that are not mounted by an authorized HeroCamper dealer are at your own risk!