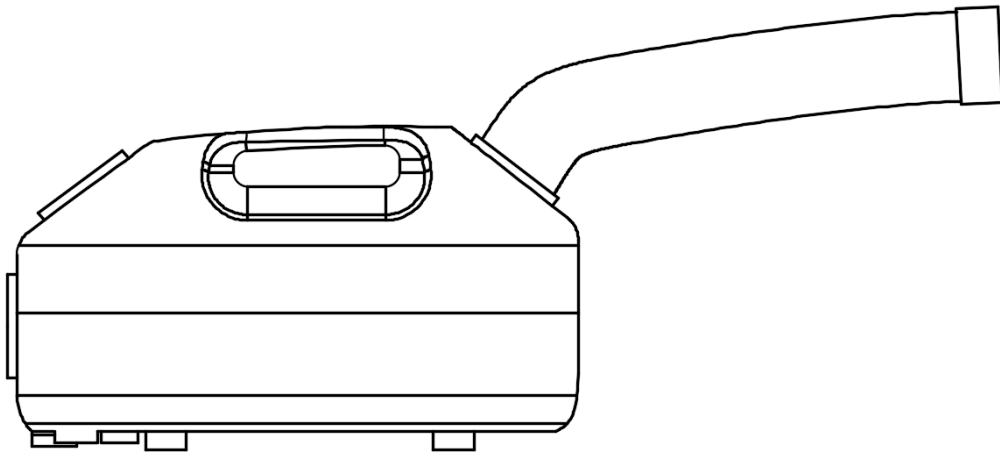
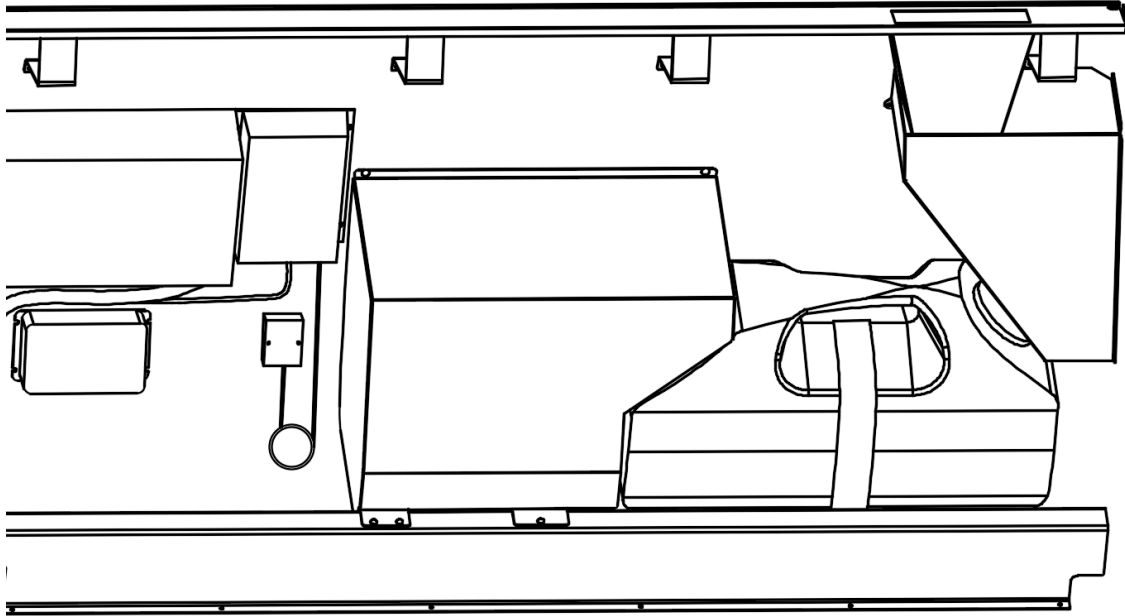


Air conditioner disassembly instruction



#HeroCamper

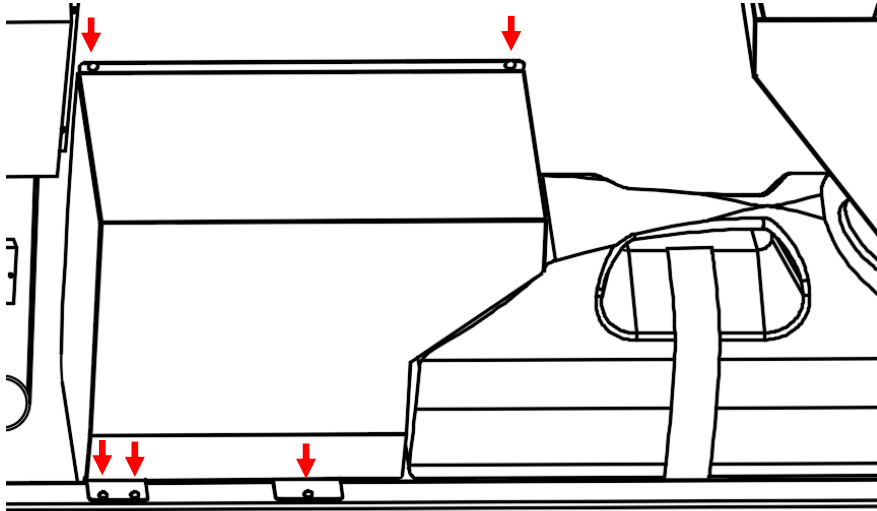
Address: Lammefjordsvej 5, 6715 Esbjerg N, Denmark

Website: www.herocamper.com

Mail: sales@herocamper.com

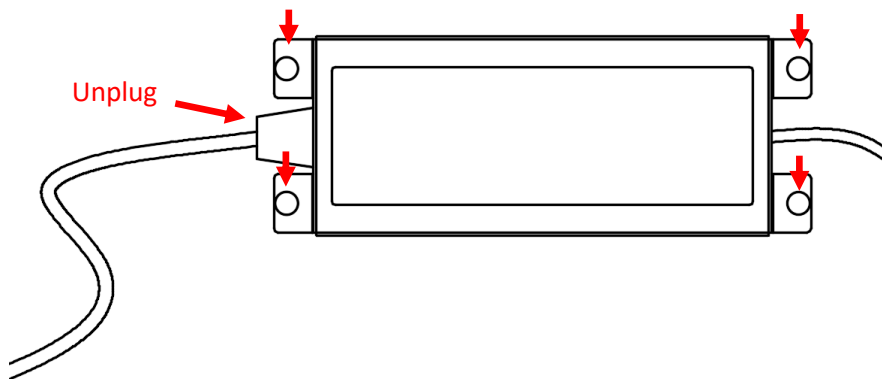
VAT-No.: DK 40193189

1. Remove the finger screws from the AC air hose cover as picture 1, then take off AC air hose cover.



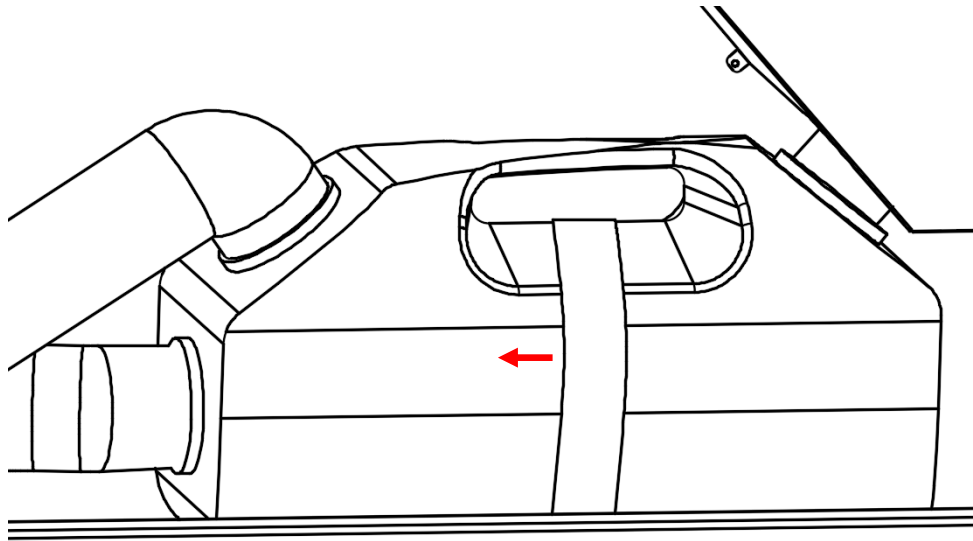
Picture 1

2. Unplug the power cable from power adapter, and then remove the four finger screws as Picture 2.



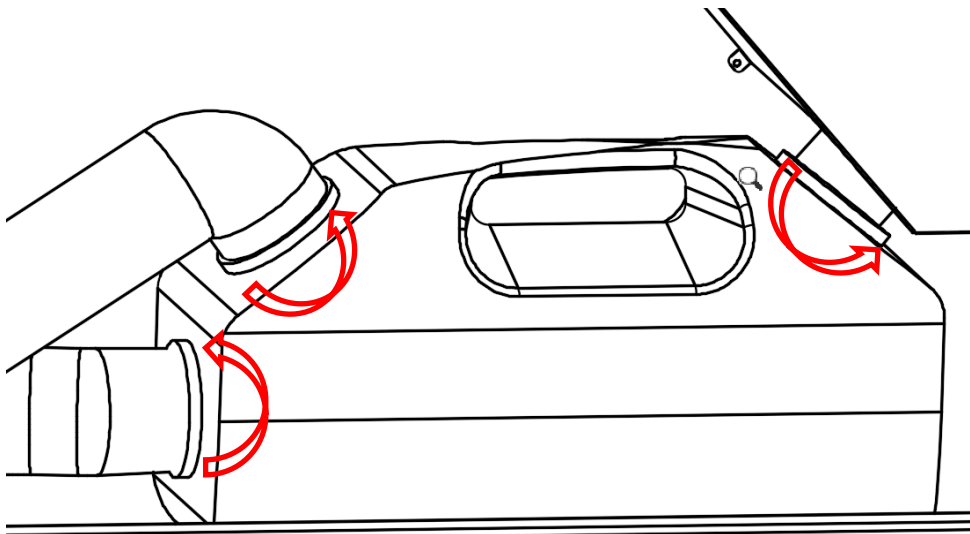
Picture 2

3. Take off the Velcro tape of AC as picture 3 indicates.



Picture 3

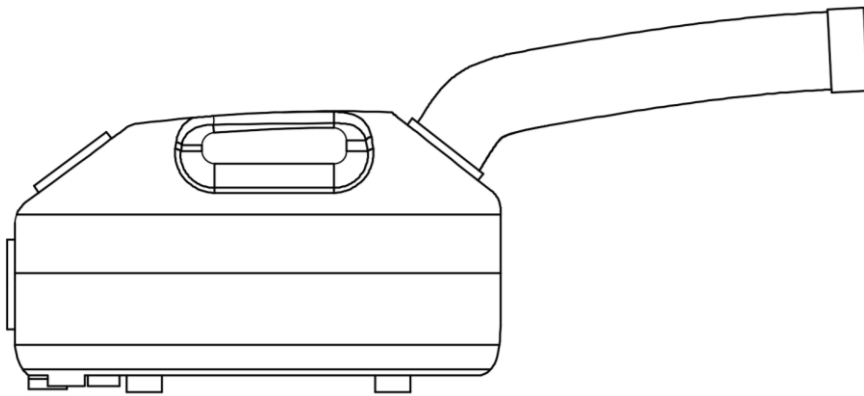
4. Turn the flange by rotating it about 30 degrees counterclockwise. Now it is time to take out the AC. Refer to Picture 4



Picture 4

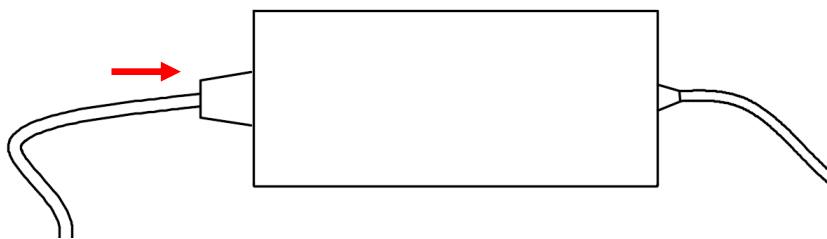
#HeroCamper

5. Install the AC air outlet tube, find this outlet tube in accessory pack.



Picture 5

6. Connect to AC with additional A/C plug as picture 6.



Picture 5

7. Put back the AC inside of Trailer by reversing operation of above process.