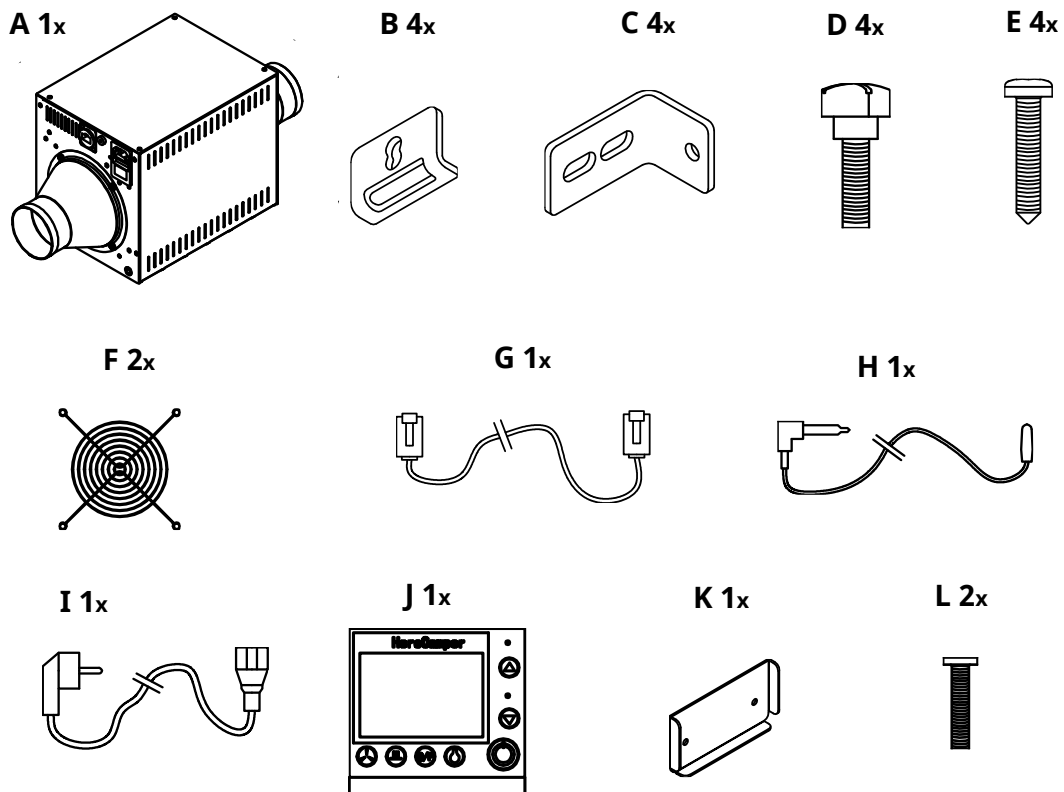


ELECTRIC AIR HEATER

The compact Electric Air Heater with a sleek design is perfect for caravans, motorhomes, garages crew cars or sailboats as an additional heat source. The unit is easy to install and equipped with 3-stage heating elements. 500W, 1000W and 1500W. Set the desired temperature on the digital display or app and the Electric Air heater will regulate the temperature itself.

COMPONENTS



A: Electric Air Heater **B:** Connection Bracket **C:** Adjustable Mounting Bracket **D:** Finger Screw
E: Screw 4x19mm **F:** Grit Guard **G:** Display Cable(3.5M) **H:** Additional Temperature Sensor(3.5M)
I: Power Cord 230v(1.5M) **J:** LCD Display **K:** LCD Display Bracket **L:** Screw 3x19mm

SAFETY INSTRUCTIONS

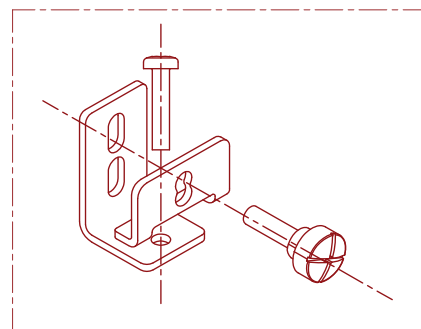
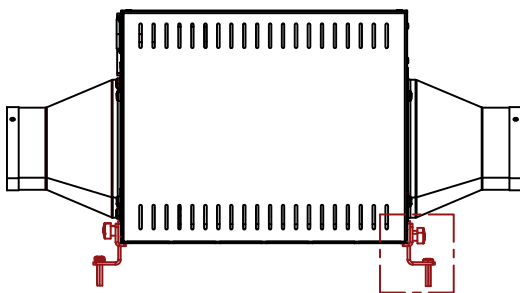
- It is important to read this manual before starting the installation process.
- Using, installing, or maintaining this air heater in any other way than described in this manual may cause damage that voids the warranty.
- Do not use the air heater in a very dusty environment. This is also the case for the display.
- Never let children or persons with reduced sensory- physical- or mental capabilities or the lack of experience and knowledge, if they are not supervised or instructed concerning use of the appliance in a safe way and understand the hazards involved.
- This air heater must be installed and maintained in accordance with this manual, national and local building regulations and local health and safety regulations.
- Do not use the heater unless the feet are correctly attached or firmly mounted.
- Ensure the power supply to the socket into which the heater is plugged in and accordance with the rating. Ensure the socket is earthed.
- Keep the power cord away from the heater's hot parts.
- Do not open the heater due to live parts inside.
- The heater must not be used if it is damaged. Check regularly and always disconnect power before inspection.
- Only use approved heating resistant pipes and components if adding air duct.
- For isolated rooms only.
- Do not place the heater on carpets have a very deep pile.
- Do not place the heaters hot air stream close to curtains or furniture in order to avoid a fire hazard.
- Do not insert any object through the heat outlet or air grilles of the heater.
- Do not use the heater in areas where flammable liquids are stored or where flammable fumes may be present.
- Always unplug the heater and ensure it is cooled off before moving it from one location to another.
- Do not use this heater in the immediate surroundings of a bath, a shower or a swimming pool or similar.
- In order to avoid overheating, do not cover the heater.
- Heater must not be located immediately below a socket-outlet.
- If the power cord is damaged, it must be replaced by the manufacturer, its dealers or similarly qualified person in order to avoid a hazard.
- Some parts of this product can become very hot and cause burns.
- Do not expose the unit to any liquids. Electrical components and liquids are a dangerous combination.
- If heat resistant pipes are used – ensure to maintain them so they are not blocked with dust etc. Also ensure they are without excessive bends or narrowed sections. The cross-section area of the air duct must not be less than the outlet of the heater. Always disconnect the power before any maintenance.
- When Distributing supply of hot air, one of deflectors must be of a non-closable type to avoid overheating of the heater.
- Do not use the unit for larger rooms than the BTU if it is the only heat source.
- It is recommended to use smoke alarm in the room where the heater is located.
- It is recommended to have a fire extinguisher within reach of the product.
- Ideal storage is between 10-21°C with a relative humidity of 30-60%.
Avoid very hot, cold, dusty or humid conditions.

SPECIFICATIONS

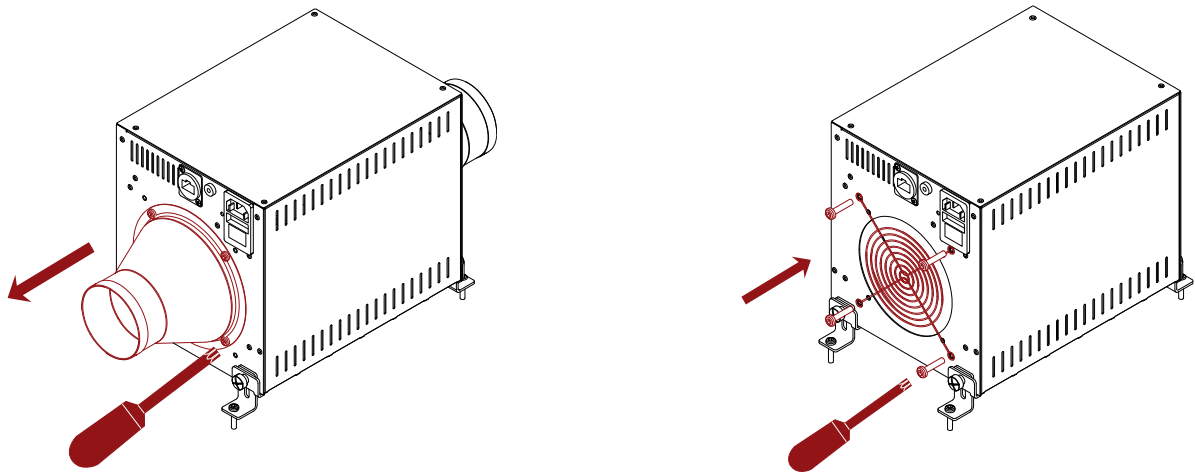
Voltage	230V AC		
Power	500 W	1000W	1500W
Amps	2.2 A	4.3 A	6.5 A
Size (L x W x H)	42 cm	17 cm	20 cm
Weight	4.5 kg		
BTU	1706	3412	5118
Temperature range °C	+5 to +35°C		
Temperature range °F	+41 to 95 °F		
Fan Speed	Low	Medium	High
Noise level(dB)	47.5	56.5	59.1

INSTALLATION GUIDE - GENERAL

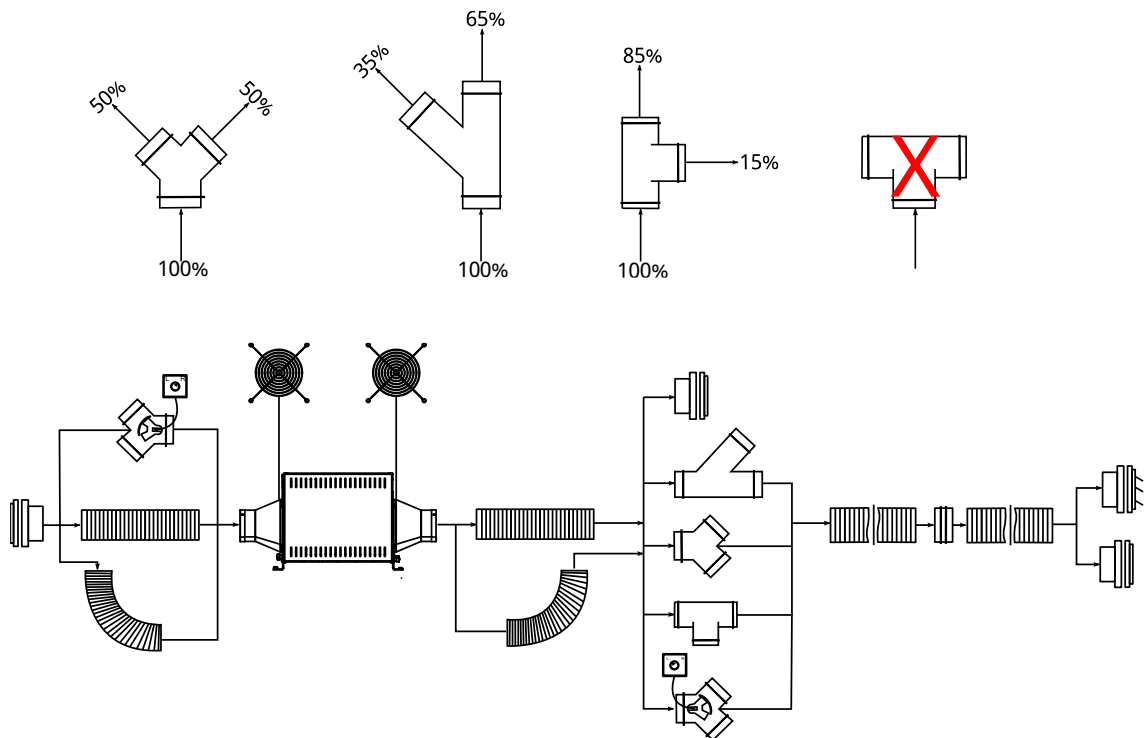
1. Attach the adjustable mounting bracket to the Electric Air Heater With the finger screw. Ensure it is mounted securely into wall or onto the floor. (Parts used: A, B, C, D & E)



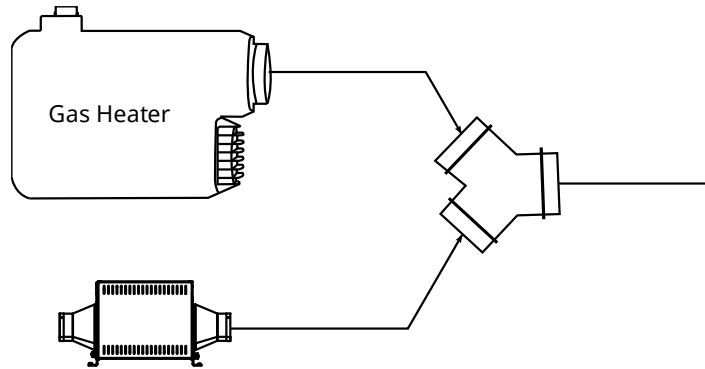
- The Ø65mm heating pipe adaptors can be changed to grit guards. This reduces the length of the unit and spreads the hot airflow. Unmount the 4x TX20 bolts and insert the grit guard. Remount with the same 4x TX20 bolts (Part used: F)



- Additional air duct components can be added to the heater for distributing hot air. Each of the components reduces total flow rate of hot air. To be sure that the option you choose for the installation of air ducts, is acceptable and will not result in a massive flow rate reduction of hot air or overheating of the heater you have to consider the distribution of the air with different components. Here are shown some examples:

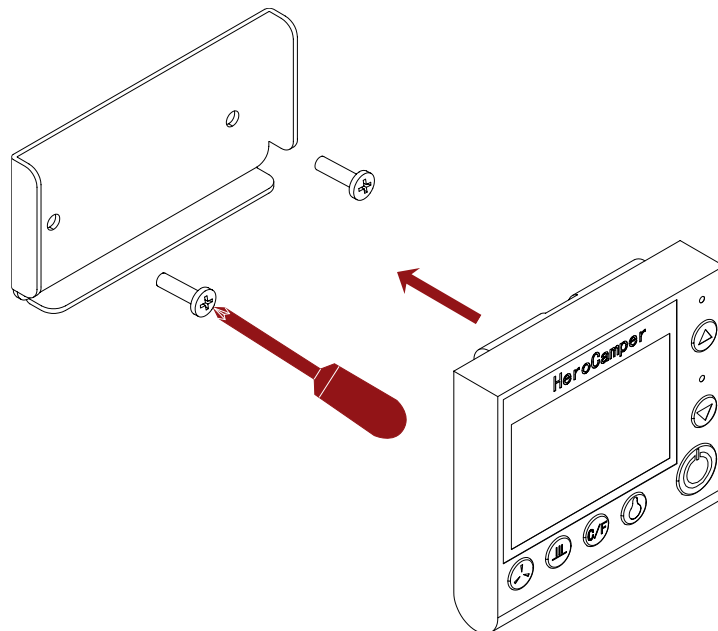


4. The Electrical Air Heater can be combined with other heat sources.

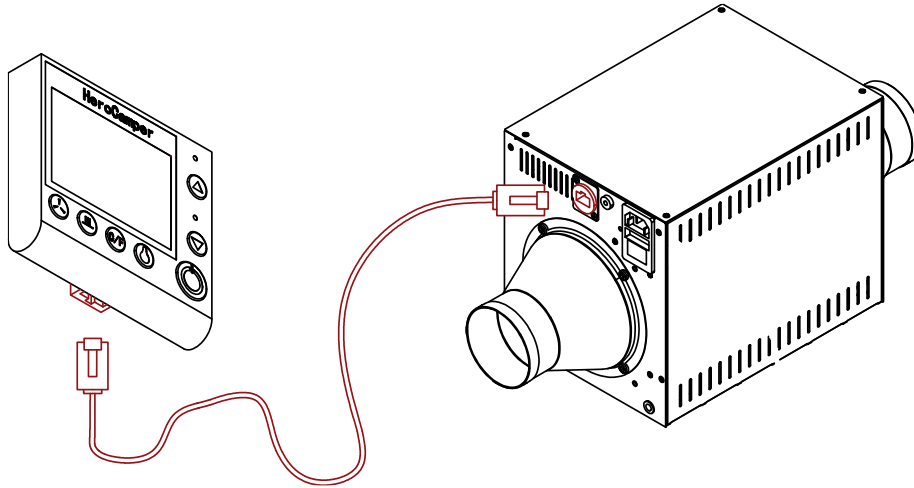


Please ensure the other heat source is suitable for this combination!

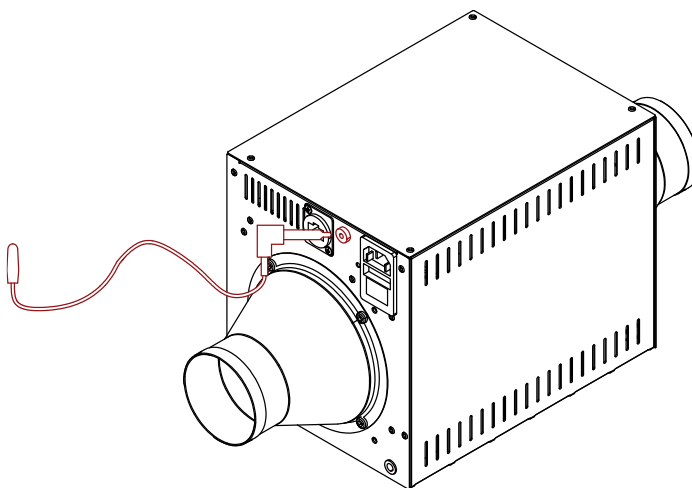
5. Choose the location for the LCD Display. Ensure the Display Cable can reach this. There is a temperature sensor located inside the LCD Display please consider this when choosing your location. (Please see **step 7** before you continue). Mount the LCD Display Bracket using the 2x 3x19mm screws. Insert the LCD Display. It will be held with magnets. (Parts used: J, K & L)



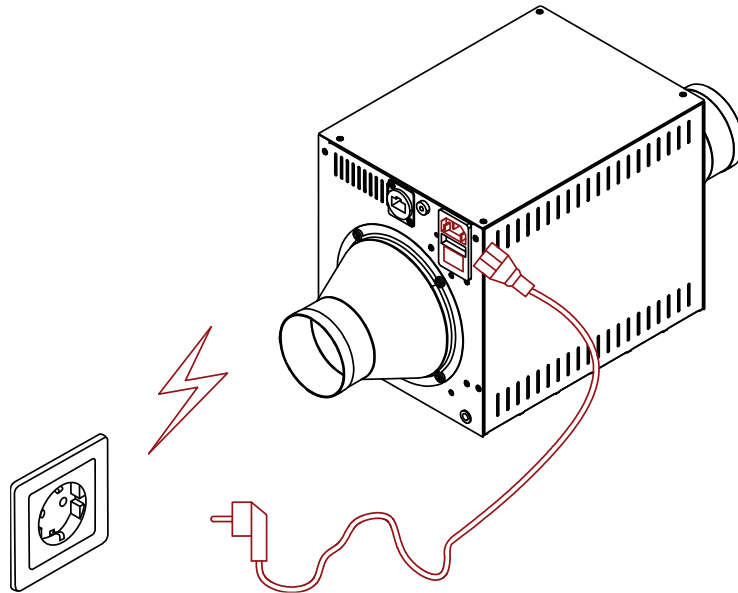
6. Plug in the Display Cable into the LCD Displays socket. Then plug the Display Cable into the Electric Air Heaters socket. (Part used: G)



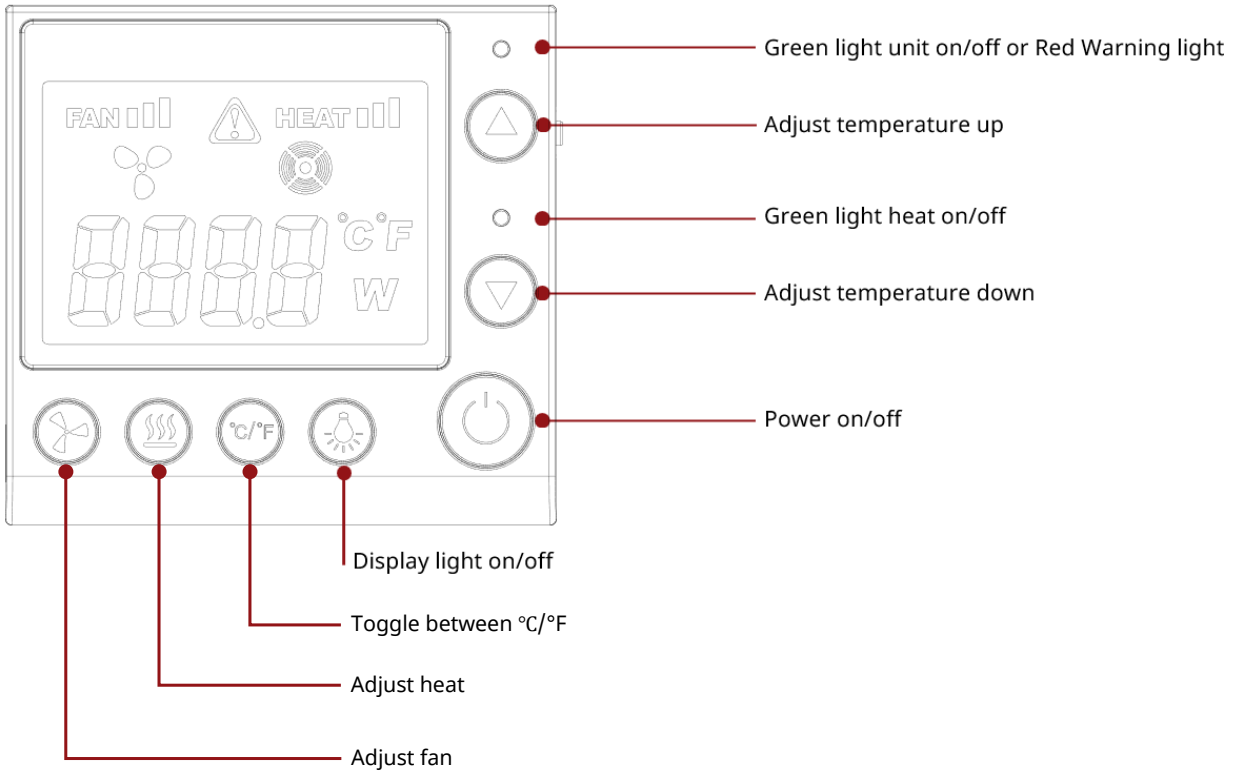
7. The Additional Temperature Sensor can be inserted if you want to adjust the Electric Air Heaters temperature on a different spot than the LCD Display or if you want to use the Electric Air Heater without display and only through the APP (Please see section APPLICATION.) The Additional Temperature Sensor has higher priority than the temperature sensor in the LCD Display. (Part used: H)






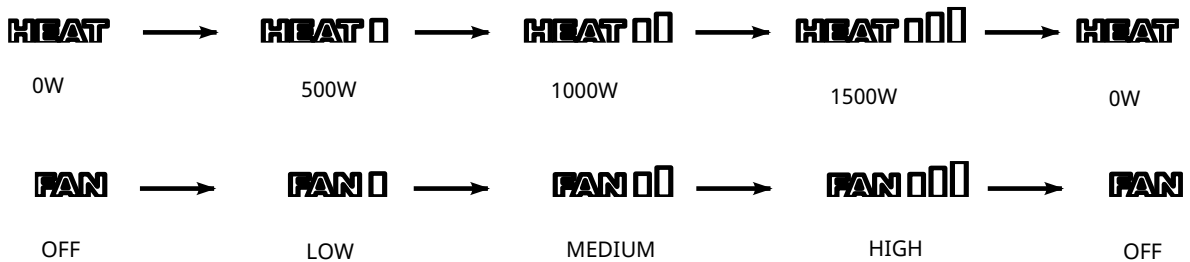
8. Insert the power cord to the unit. Insert the power cable to an approved outlet.
Ensure the outlet is suitable before you turn on the main switch on the unit (Part used: I)





CONTROL PANEL




To turn on the unit push the  **ON/OFF** button. The unit will start with the last used setting due to integrated memory function. Push the  **HEAT** button to adjust the watt. The heat button has a rolling action function. This means the button has 5 steps. It will change from 0 to 1 to 2 to 3 to 2 to 1 to 0. The  **FAN** button works in the same way. However, it must always be equal or higher value than the heat setting. This is to prevent the unit from overheating and ensure there is enough air flow. The fan speed will automatically adjust to the minimum required speed of the heat settings. This means if the unit is set to 1500W the fan automatically adjusts to HIGH on fan speed. If heat is set to 500W the fan speed will automatically be adjusted to LOW, but can be changed to MEDIUM or HIGH by pushing the fan button.




The display will standard show the current room temperature where the display or the additional

sensor is located. When pushing the  **UP** or  **DOWN** button it will show you the temperature you would like to reach. If the unit do not start when pushing the heat button, the setting of the temperature you would like to reach is below room temperature. Push the **UP** button until you are above room temperature and the unit will automatically start. When the sensor in the display or the additional sensor reach the temperature, the unit will automatically go to standby mode. If the temperature gets below the set temperature it will automatically start. This setting can be changed so the unit will keep the ventilation fan on but turn off the heat. To achieve this push and hold the **FAN** button until HEAT flashes 3 times in the display. To turn this function off again hold the **FAN** button until FAN and HEAT flashes 3 times in the display.

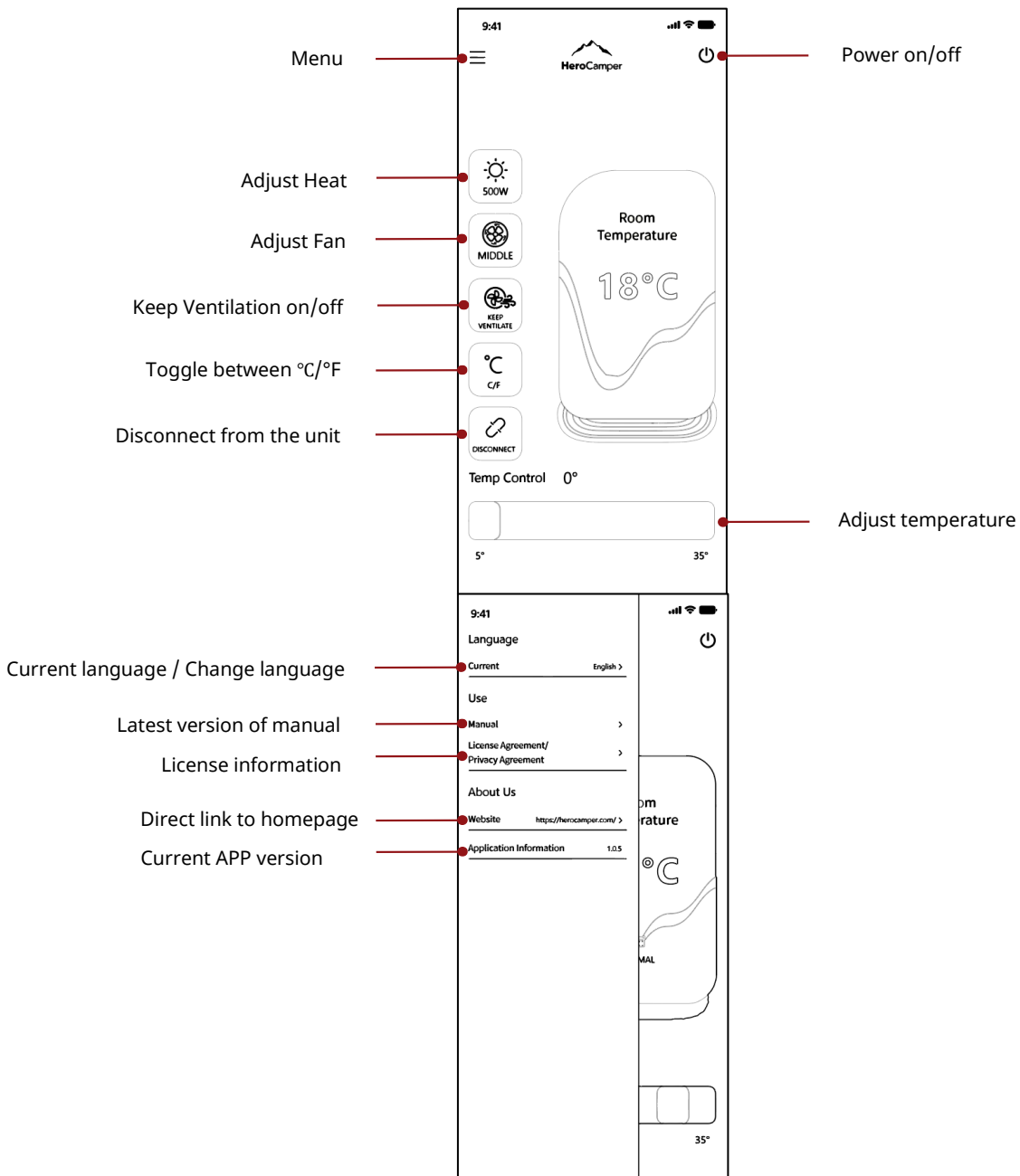
The display can show the temperature in either Celsius or Fahrenheit. Push the  **°C/°F** button to toggle between them.

The unit has integrated Bluetooth. This is set to on as default. This function can be turned off by push and hold the **HEAT** button. The display will flash 3 times with BOFF. To turn this on simply push and hold the **HEAT** button until the display flashes 3 times with B ON. This function can be turned on/off via the display.

The display can be set to day or night mode. Push the  **LIGHT** button to change if the light should be on or off in the display. Please note this is not possible via the APP.

APPLICATION

The application can be download via our homepage under the product, Google Play or APP Store. Search for the APP "HeroCamper Heater." Install the APP, open it and click search. Then connect to the displayed device. If you are unable to find the device – please ensure your device has the necessary requirements, Bluetooth activated and close enough to the product. Please also ensure the Bluetooth of the heater has not been turned off. This is explained in above section CONTROL PANEL.



OVERHEAT PROTECTION


The heater has 3 built-in overheat protections system.

- 1) Temperature sensor constantly monitoring the outgoing heat from the airflow direction. This is to secure the temperature is not higher than the heat element should provide.
- 2) Temperature sensor mounted on inside the unit. This monitoring the internal metal parts temperature and secure it will not overheat. If it senses the temperature is too high, it will automatically set the fan speed to HIGH and start to lower the temperature. This will be



shown in the display with the warning sign and upper LED will flash red.

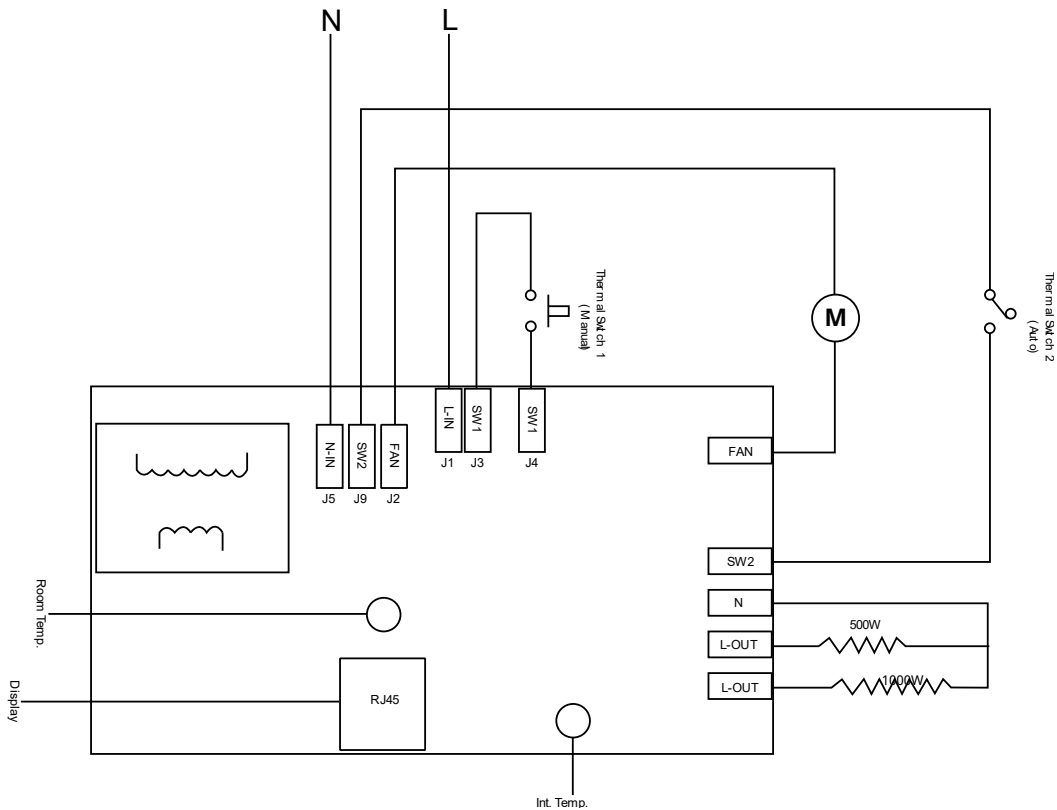
- 3) Temperature sensor is monitoring the internal housing of the unit. This sensor is connected to the main power supply and will shut down the unit if the temperature exceeds the

recommended. This will be illustrated with red flashing upper LED and a  warning sign on the display. If this occurs the unit will need a manual reset.

!WARNING! Do not open the unit due to live parts inside.

Contact the dealer where you bought the unit or professional experienced advice.

WIRE DIAGRAM



HeroCamper - www.herocamper.com

Lammefjordsvej 5 - 6715 Esbjerg N - Denmark

Phone +45 7022 5840 - sales@herocamper.com

VAT No DK - 40193189

Version 17-04-2024

F A Q

- **The unit starts ventilation when I click the off button?**
 - This is normal as it secures to cool down the heat elements before shutting off.
- **I click the heat button, but the unit will not start heating?**
 - Example: If the room temperature is 20 degrees Celsius and the last used setting is set to 17 degrees Celsius the unit will not start due to automatic start/stop function. Click the adjust temperature up button or set the temperature higher than the room temperature in the APP before clicking the heat button.
- **The unit starts and stop the heat function and do not heat properly?**
 - Please ensure the unit has been installed correctly. If the air flow has too much resistance from air duct installation the overheat protection will be activated. If this has been confirmed please ensure visually the fan in the unit is spinning. If not, contact the dealer where you bought the product.
- **I have a white display and the unit will not work?**
 - The white display will not work for the black heat unit or versa. They have different firmware.
- **The unit will not start at all and is plugged into power?**
 - Please ensure the outlet is suited for the heater. There is installed a fuse located at the inlet of the unit. There is attached a spare fuse here as well. **!WARNING! Ensure the unit is cooled down and unplugged from power grit before changing it. If there are any doubts, please contact the dealer where you bought the product or professional experienced advice.**

CERTIFICATIONS

Herocamper ApS
Lammefjords vej 5
6715 Esbjerg N
Denmark

Herocamper ApS hereby declares on its own responsibility that Electric Air Heater 1500W; part No.: **CS0601** has been manufactured in accordance with the following:

Directives:

2014/30/EU

2014/35/EU

2014/53/EU

RoHS 2011/65/EU Annex II and its amendment Directive (EU) 2015/863

Standards:

EN IEC 55014-1:2021 EN IEC 55014-2:2021 EN IEC 61000-3-2:2019 + A1:2021 EN61000-3-3:2013 + A1:2019

EN 60335-1:2021 + A11:2014+ A12:2017+A13:2017+ A1:2019+A2:2019+A14:2019+A15:2021

EN 60335-2-30:2009 + A11:2021 + A1:2020 + A12:2020 EN 62233:2008+AC:2008 EN 50663:2017 EN62479:2010 EN 60335-1:2012 +

A11:2014 + A12:2017 + A13:2017 + A1:2019+A2:2019 + A14:2019+A15:2021 EN 60335-2-30:2009 + A11:2012 + A1:2020 +

A12:2020; EN 62233:2008 + AC:2008 ETSI EN 301 489-1 v 2.2.3(2019-11) ETSI EN 301 489-17 v 3.2.4 (2020-09) ETSI EN 300 328

v2.2.2 (2019-07)

Test:

"Test Verification of Conformity" Certificate: E24032563 – Report DQ2400000063-E (25-03-2024)

"Test Verification of Conformity" Certificate: E24032561 – Report DQ2400000063-S (25-03-2024)

"Test Verification of Conformity" Certificate: 2401246-01 – Report TW2401246-01E -02E -03E (02-04-2024)

"Test Verification of Conformity" – Report NH2400000402 (21-03-2024)

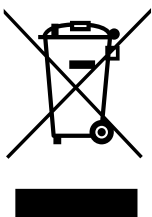
Esbjerg 17-04-2024

Frederik Schrøder

Product Manager



Herocamper ApS - Lammefjordsvej 5 - 6715 Esbjerg N - Denmark



Your product is designed and manufactured with high quality materials and components which can be recycled and reused. This symbol means that electrical and electronic equipment, at their end-of-life, should be disposed of separately from your household waste. Please dispose of this equipment at your local community waste collection / recycling center. In the European Union there are separate collection systems for used electrical and electronic products.

Please help us conserve the environment we live in!

HeroCamper – www.herocamper.com

Lammefjordsvej 5 – 6715 Esbjerg N – Denmark

Phone +45 7022 5840 – sales@herocamper.com

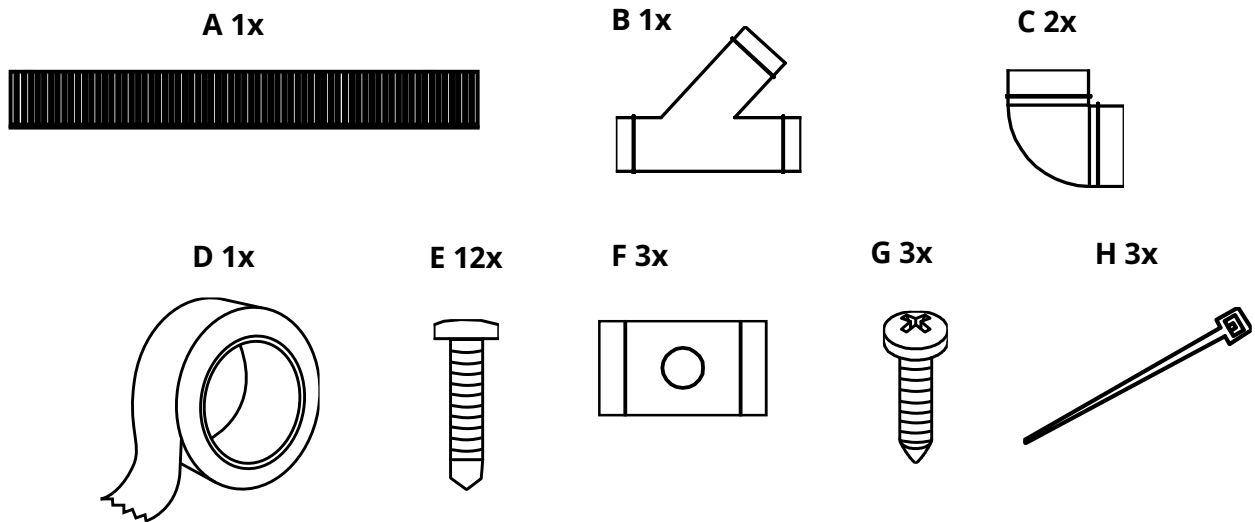
VAT No DK – 40193189

Version 17-04-2024

INSTALLATION IN HEROCAMPER

The heater can be installed in a HeroCamper (EU). You will need to purchase the part number **HC.0055.P**. The below components are what there is included in this part number.

COMPONENTS



A: Ø65mm air heating pipe 1.8m **B:** Y-adaptor **C:** L-connector **D:** Heat resistant tape ~15m
E: Self drilling screw TX20 4x25mm **F:** Zip tie fixation **G:** Screw PH2 3x19mm **H:** Zip tie

TOOLS REQUIRED

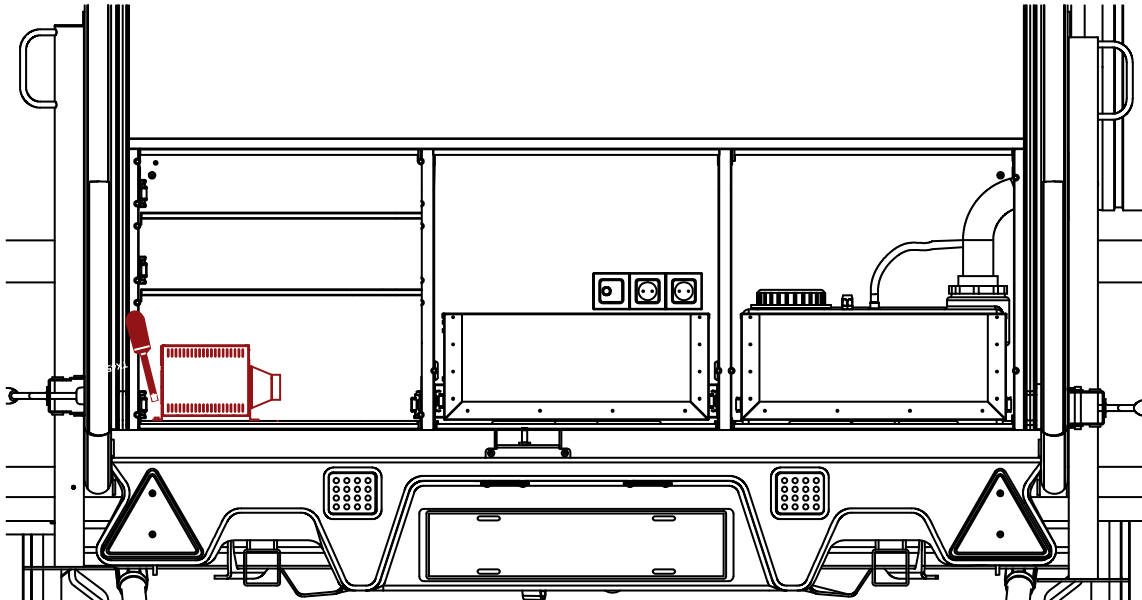


TX20

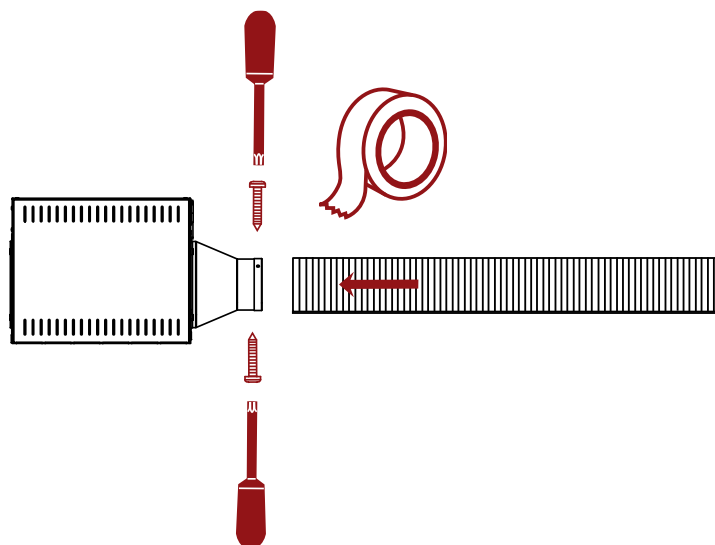


PH2

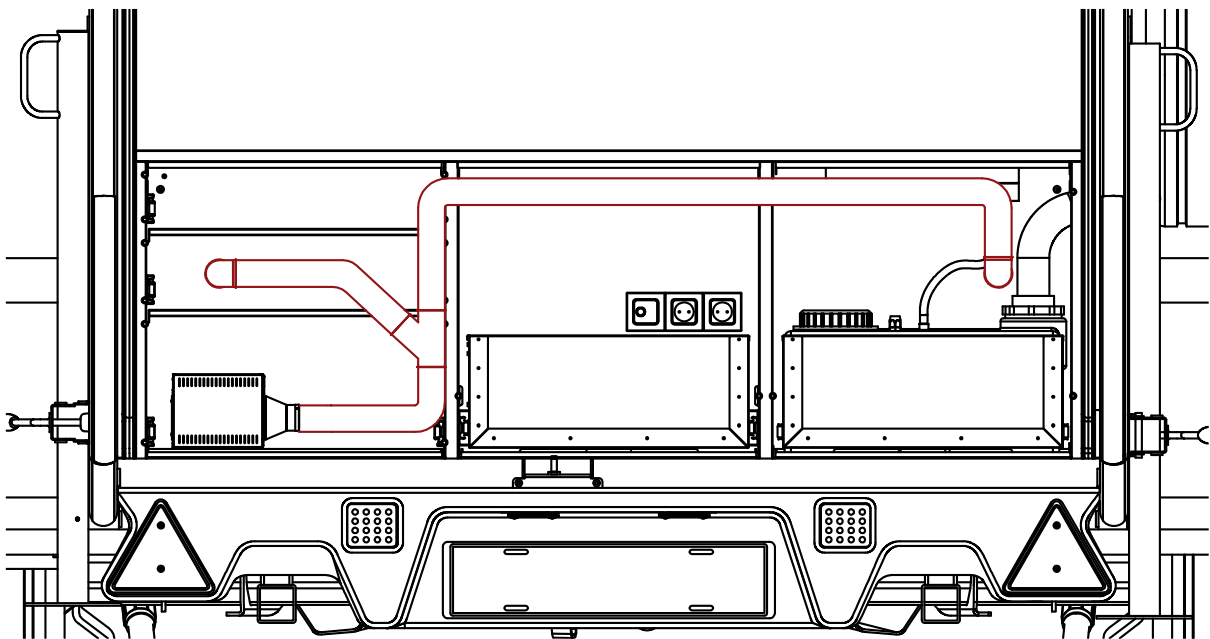
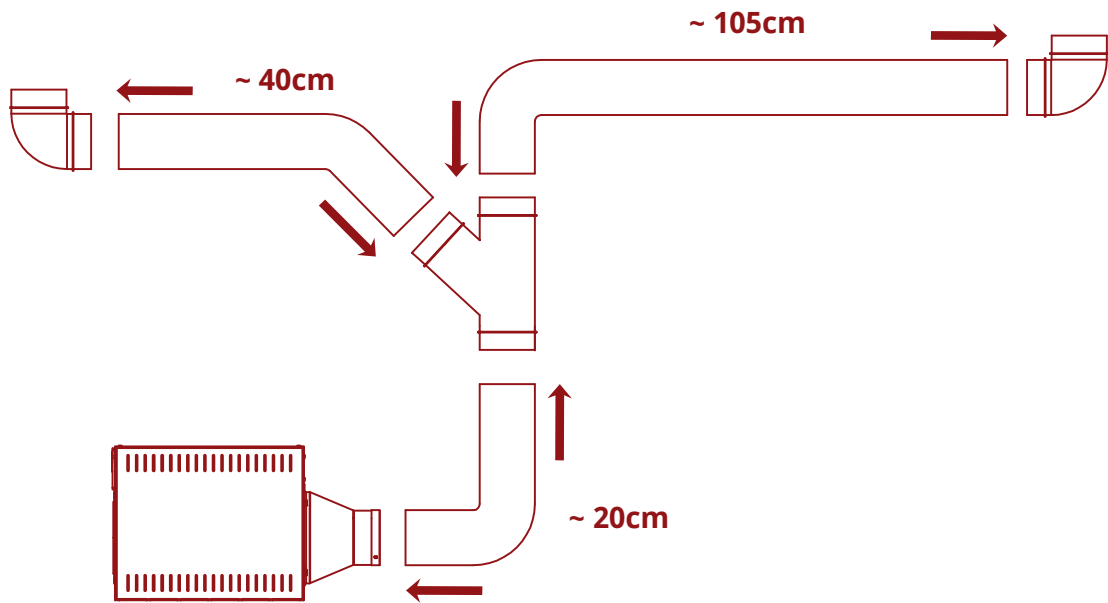
1. Replace the Ø65mm intake with the grit guard (see **step 2** – INSTALLATION GUIDE – GENERAL). Mount the heater as close as possible to the left side of the camper, but you should still be able to reach the screws for the mounting brackets. Ensure the heater are placed so there is space for the drawer to close properly.



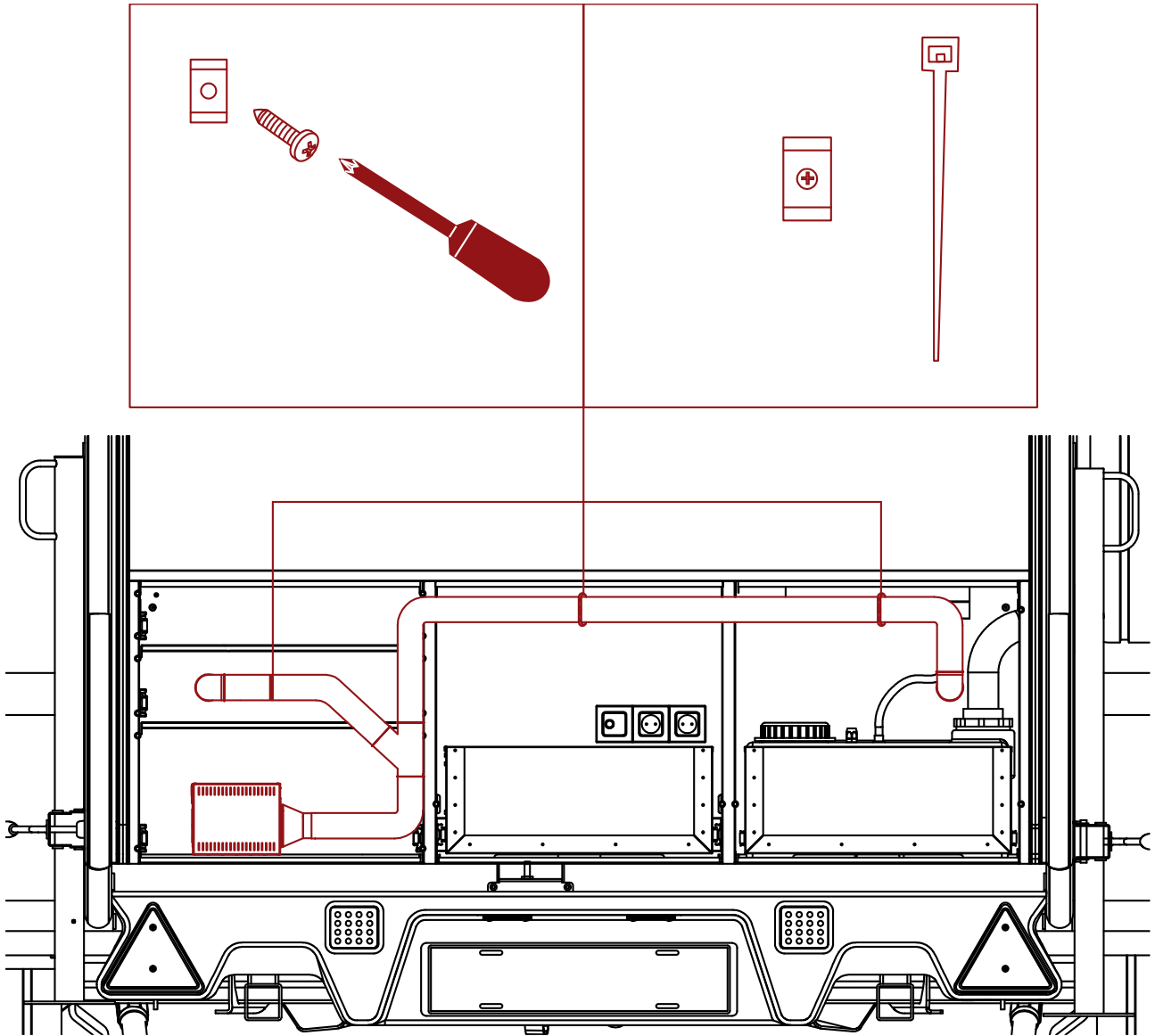
2. Mount the Ø65mm heating pipe on the outtake of the heater. Use two TX 20 self-drilling screws and screw them through the heating pipe and into the holes of the heater's outtake. Use the heat resistant tape with a double layer and cut it. This is how all the connections should be assembled. (Part used: A, D and E)



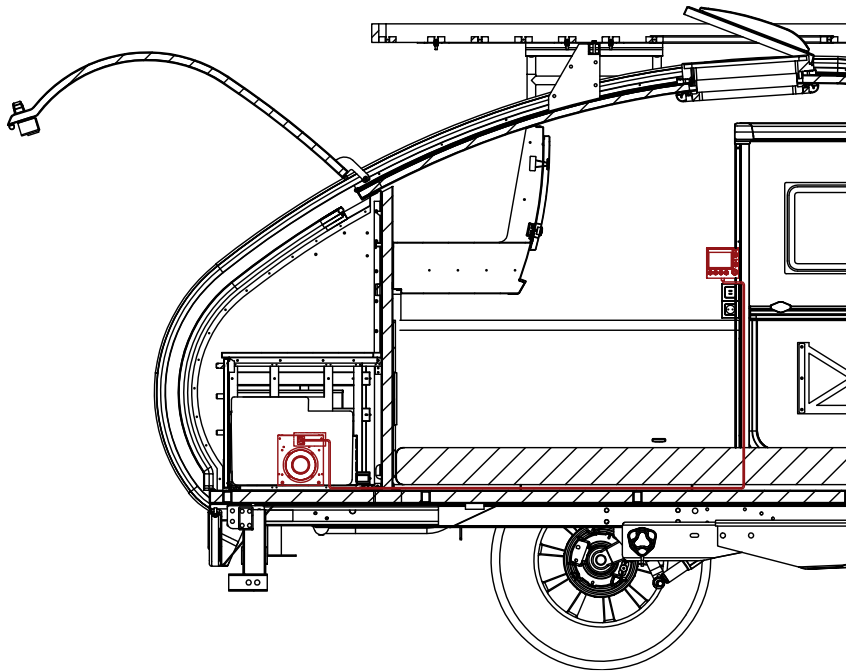
3. The heating pipes should be installed like below illustrations. Please ensure when you bend the pipe that it does not lower the inside diameter of the pipe. (Part used: A, B, C, D and E)



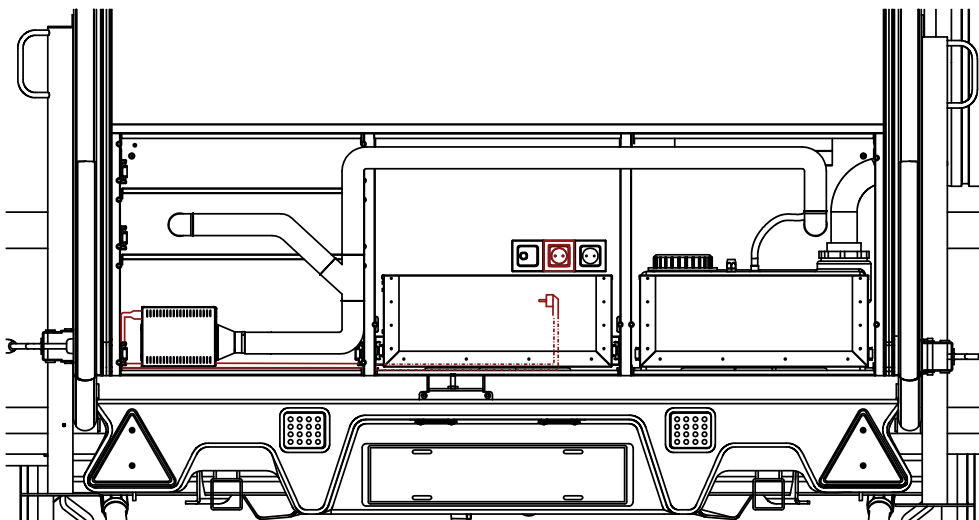
4. Mount the zip tie holder behind the pipe with a screw. Use zip tie to fasten the pipes like below illustration. (Part used: F, G and H)



5. Mount the display on recommended location as illustrated below. Please see **step 5 - INSTALLATION GUIDE - GENERAL**. Remove the mattress and use the cable tray to hide the wire. In the corner of the FRP wall between cabin and kitchen there is a hole for the wire. Insert the Display cable like **step 6 - INSTALLATION GUIDE - GENERAL**.



6. Insert the power cord to the heater and plug it into the socket. Please see **step 8 - INSTALLATION GUIDE - GENERAL**.



All products that are not mounted by an authorized HeroCamper dealer are at your own risk!