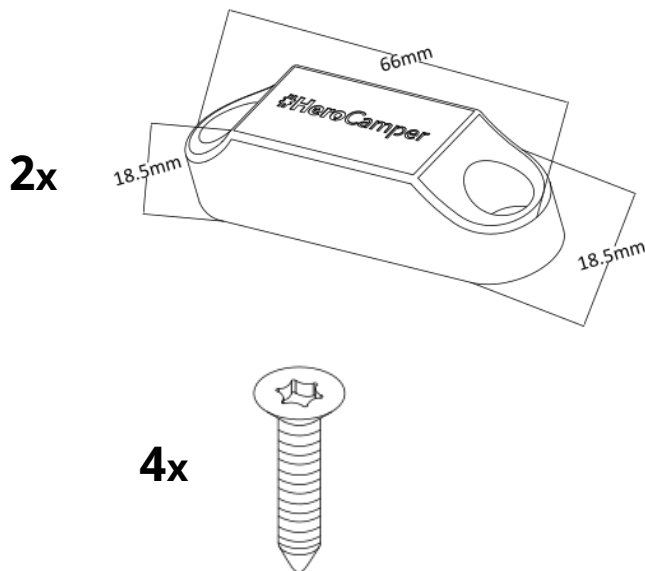


MAGNETIC DOOR HOLDER

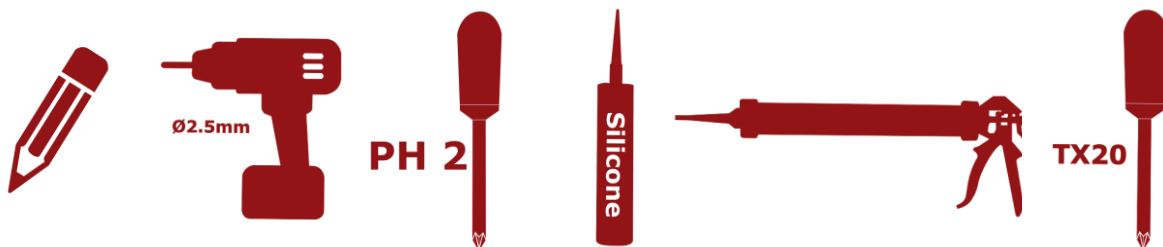
Herocamper Magnetic Door Holder is the perfect solution for securing the doors effortlessly and elegantly. The Magnetic Door Holder combines functionality with a sleek design.

COMPONENTS AND SPECIFICATIONS



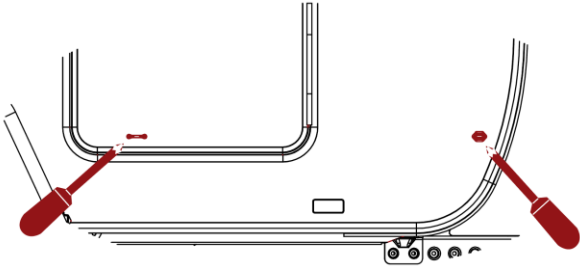
Material	Nylon
Color	Black
Size(LxWxH)	66x18.5x18.5mm
Weight	0.07kg
Part number	HCSP00915
Replaces part number	HCSP00448

TOOLS FOR INSTALLATION

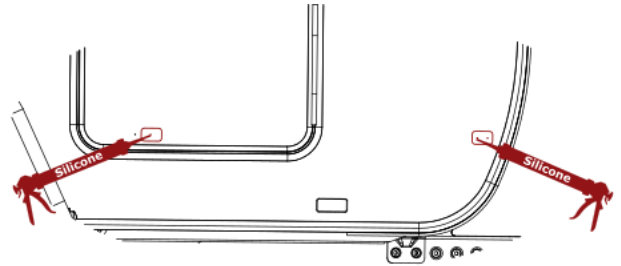


INSTALLATION GUIDE

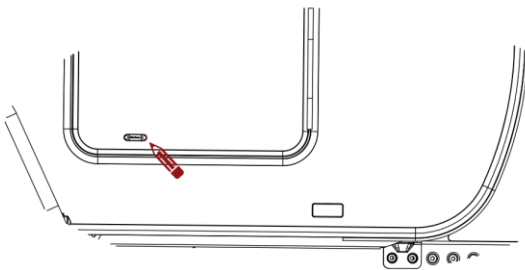
1. Remove the PH screws from the current door holder.



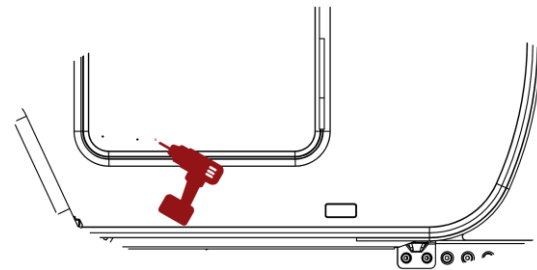
2. Fill the 3 holes with silicone as shown below.



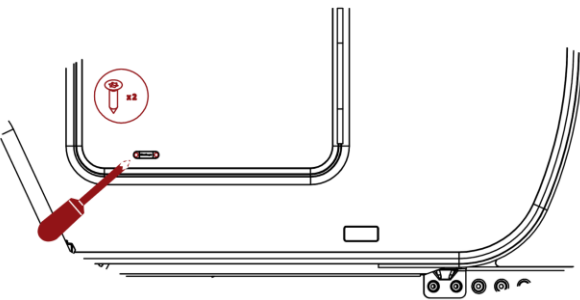
3. Use the hole without silicone to place the Magnet door holder.



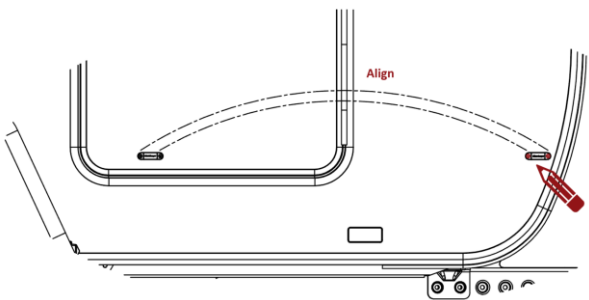
4. Drill the marked hole with Ø2.5mm drill. Do not drill deeper than 2cm.



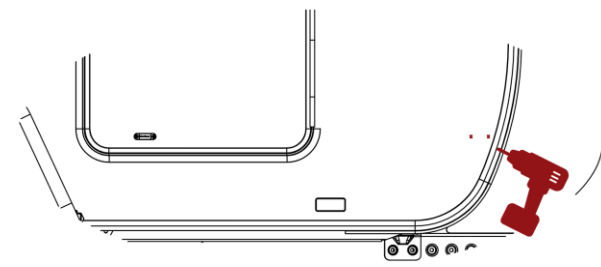
5. Mount Magnetic Door Holder with the 2 pan screws (TX20)



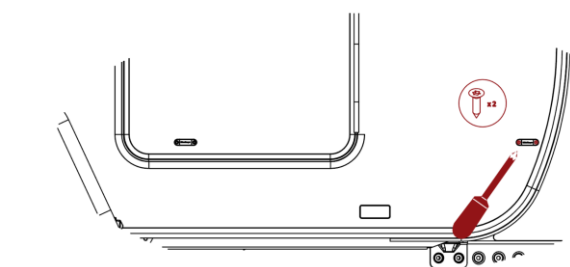
6. Align the other Magnetic Door Holder and mark the holes with a pen.



7. Drill the marked holes with Ø2.5mm drill. Do not drill deeper than 2cm.



8. Mount the Magnetic Door Holder with the 2 pan screws (TX20)



All products that are not mounted by an authorized HeroCamper dealer are at your own risk!

HeroCamper™ - www.herocamper.com

Lammefjordsvej 5 - 6715 Esbjerg N - Denmark

Phone +45 7022 5840 - sales@herocamper.com

VAT No DK - 40193189

Version 05-10-2023