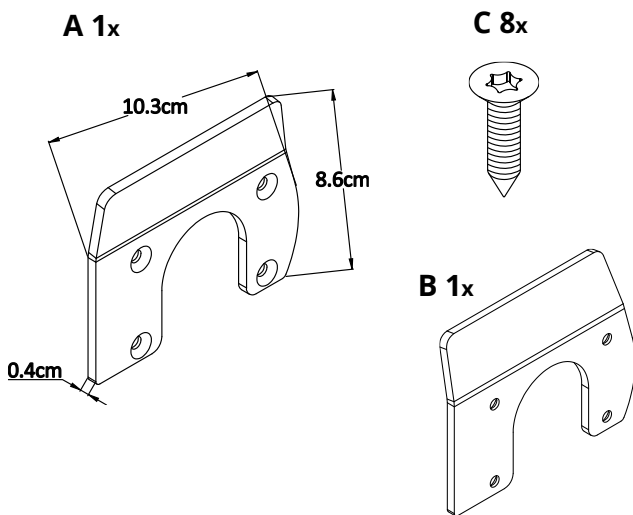


## DOOR GRIPS

The HeroCamper Door Grip introduces a new level of convenience for enthusiasts, making the task of opening the camper door a seamless and effortless experience. Its user-friendly design, emphasizing a comfortable grip and ergonomic considerations, ensures that accessing your HeroCamper becomes easy.

## COMPONENTS AND SPECIFICATIONS



<b>Material</b>	Aluminium
<b>Size(HxLxW)</b>	10.3 x 8.6 x 0.4cm
<b>Color</b>	Mat black powder coating
<b>Pack size</b>	12 x 12 x 4cm
<b>Net weight</b>	0.14kg
<b>Gross weight</b>	0.3kg
<b>Part Number</b>	HCA000858

**A:** Door Grip Left Side

**B:** Door Grip Right Side

**C:** Screw TX20 4.8 x 40mm

## TOOLS REQUIRED

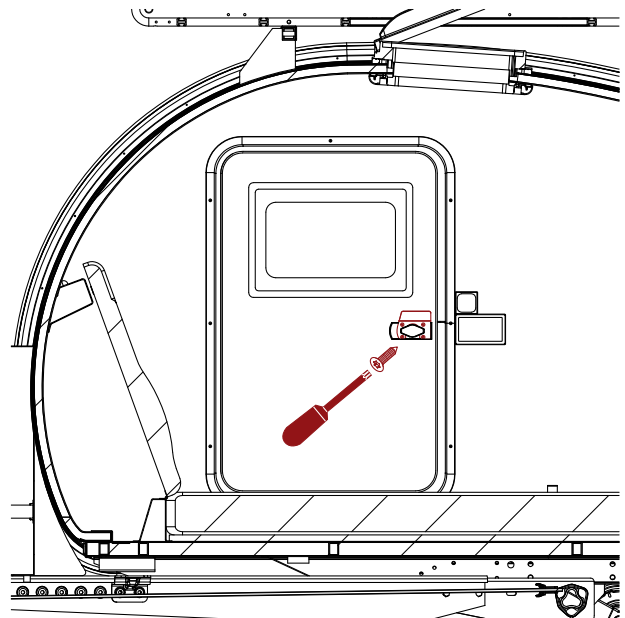
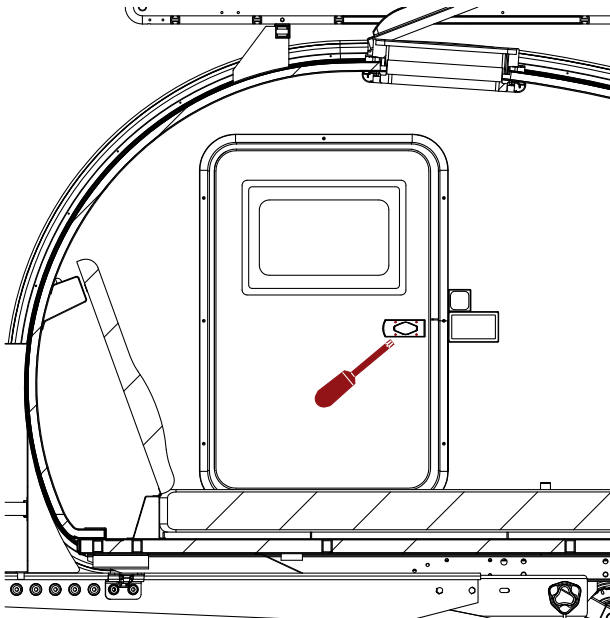


**TX20**

## INSTALLATION GUIDE

---

1. This is illustrated on the right side. Unscrew the 4 current screws from the door lock. Place the Door Grip and ensure to align the holes.
2. Insert a screw in each hole. Recommended torque is 3 Nm. Repeat on opposite site.



*All products that are not mounted by an authorized HeroCamper dealer are at your own risk!*