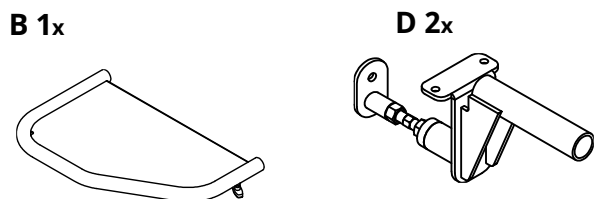
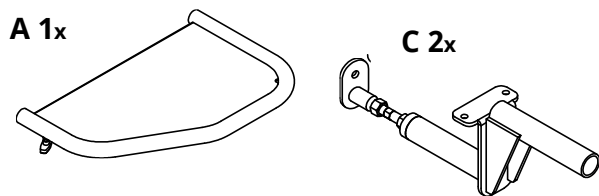


FOOTBOARDS

The board is a revolutionary accessory that enhances the accessibility of the HeroCamper, providing users with a convenient and efficient way to enter and exit their camper. Its innovative design is characterized by a sleek and minimalistic design, perfectly complementing the overall style of the HeroCamper.

COMPONENTS AND SPECIFICATIONS



Material	Aluminium
Size(HxLxW)	77.5 x 72 x 8cm
Color	Mat black powder coating
Pack size	70 x 50 x 17cm x2
Net weight	2.7kg
Gross weight	3.5kg
Part Number	HCA000856



A: Footboard Right Side

B: Footboard Left Side

C: long Bracket

D: Short Bracket

E: M8x25mm Bolt

F: M8 Nut

G: M8 Washer

H: Drilling Template

TOOLS REQUIRED



Ø10mm



2x M13



M12



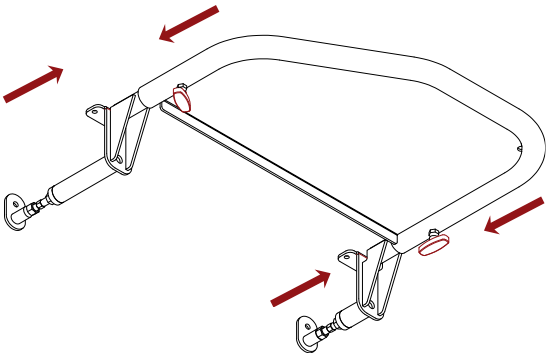
M19



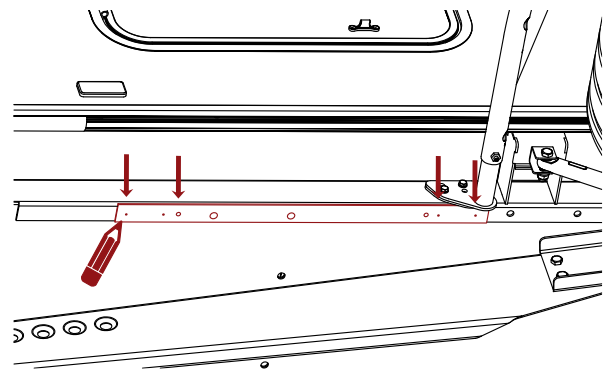
Zinc Spray

INSTALLATION GUIDE

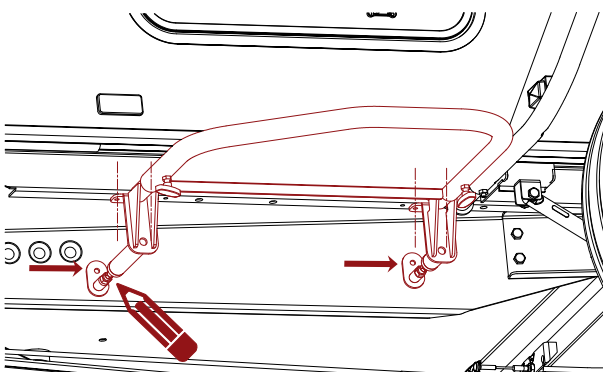
1. This is illustrated on the left side. Start by inserting the Long Bracket and the Short Bracket into the Footboard Right Side. Then tighten the 2 fingers crews. (Part used: A, C and D.)



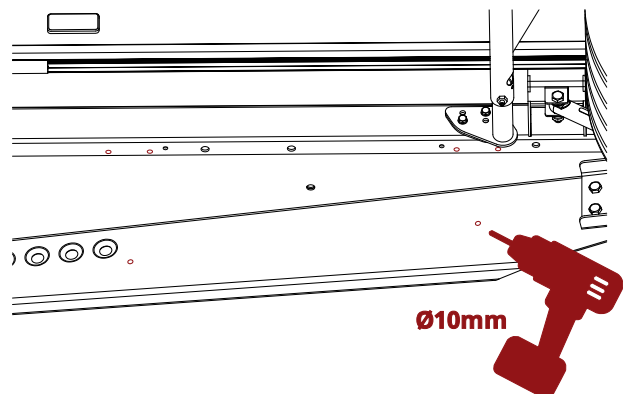
2. Align the Drilling Template with the 4 chassis holes like illustrated below. Mark the 4 remaining holes in the template with a pencil. (Part used: H)



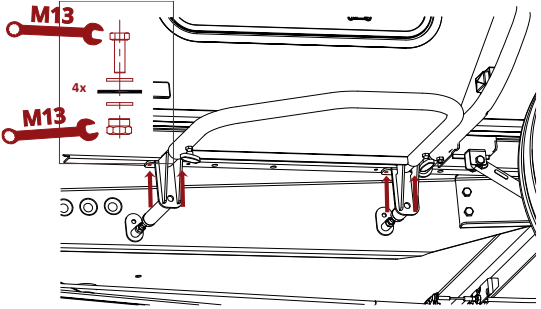
4. Align the Footboard with the 4 recently marked holes. Now mark the 2 holes for the brackets.



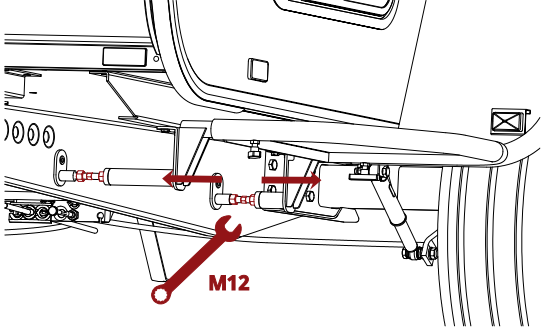
3. Drill the 6 holes with a Ø10mm drill. Use Zinc spray for the 2 holes on the chassis to prevent it from rusting.



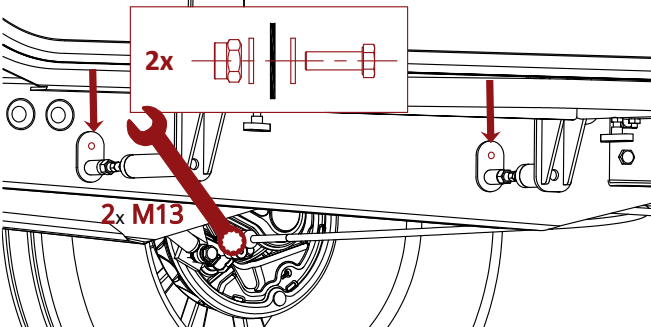
5. Mount the Footboard with bolts, nuts and washers like below illustration. (Part used: E, F and G)



6. Adjust brackets with the nut using a M12 wrench. Tighten the locking nuts on each bracket to 25Nm with a M19 wrench.



7. Mount the brackets to the chassis with 2x M13 wrenches. Tighten to 25Nm. Then repeat on the opposite side.



!WARNING! Please remove the Footboards while driving with the camper.

All products that are not mounted by an authorized HeroCamper dealer are at your own risk!