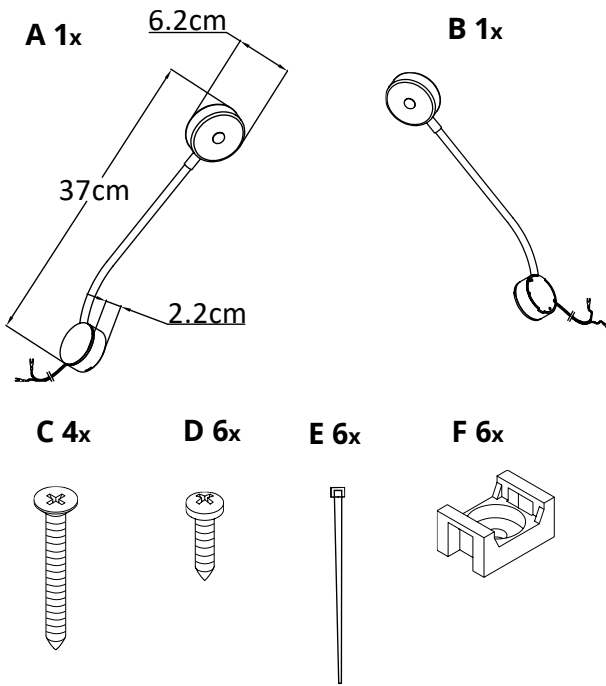


# READING LAMPS

The Reading Lamps is the ideal lighting companion tailored specifically for HeroCamper enthusiasts. With its practical design and convenient one-touch control, this lamp seamlessly integrates into your HeroCamper, providing a hassle-free lighting solution. Enjoy the simplicity and functionality of the Reading Lamp as it enhances your HeroCamper experience, ensuring well-lit and cozy moments during your adventures.

## COMPONENTS AND SPECIFICATIONS



<b>Material</b>	Stainless steel
<b>Size(HxLxW)</b>	37 x 6.2 x 2.2cm
<b>Color</b>	Black
<b>Pack size</b>	42 x 10 x 10cm
<b>Net weight</b>	0.36kg
<b>Gross weight</b>	0.7kg
<b>Power</b>	2W
<b>Lumen</b>	206
<b>Input Voltage</b>	10-30V
<b>IP</b>	20
<b>Part Number</b>	HCA000859

**A:** Reading Lamp with Short Wire (Left)

**B:** Reading Lamp with Long Wire (Right)

**C:** Screw for lamp PH2

**D:** Screw For Zip Tie Holder

**E:** Zip Tie

**F:** Zip Tie Holder

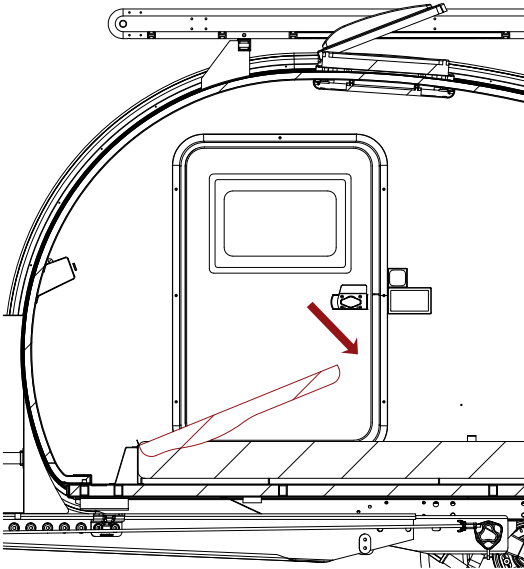
## TOOLS REQUIRED



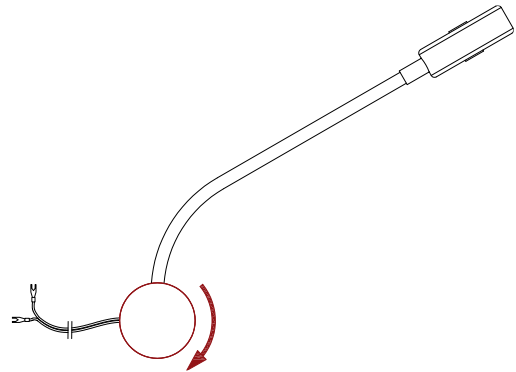
**PH2**

# INSTALLATION GUIDE

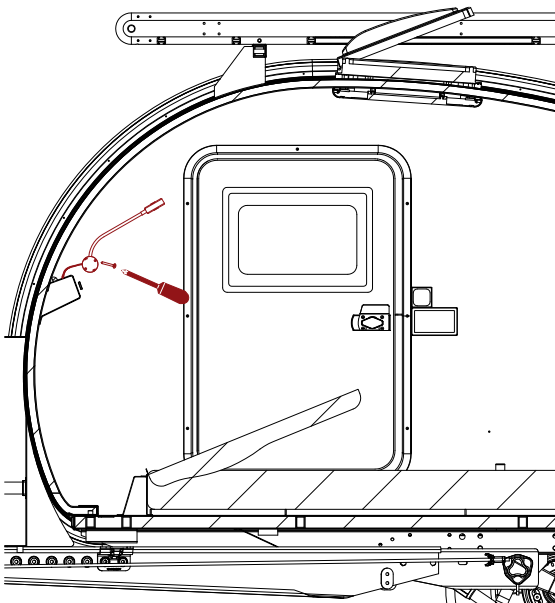
1. Pull down the seat.



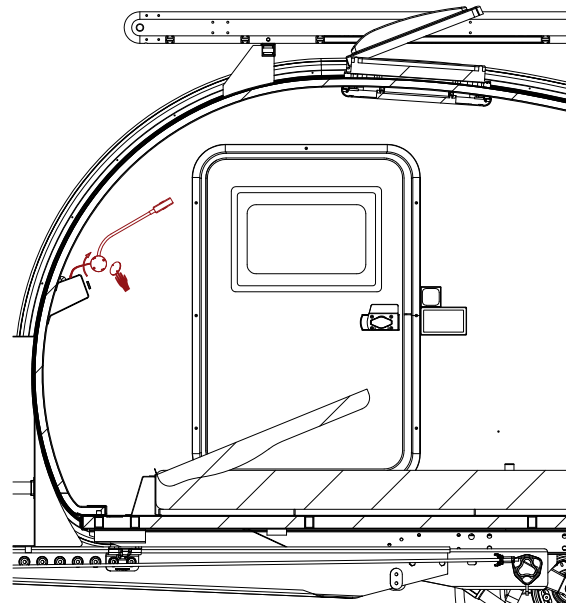
2. Unscrew the cover.



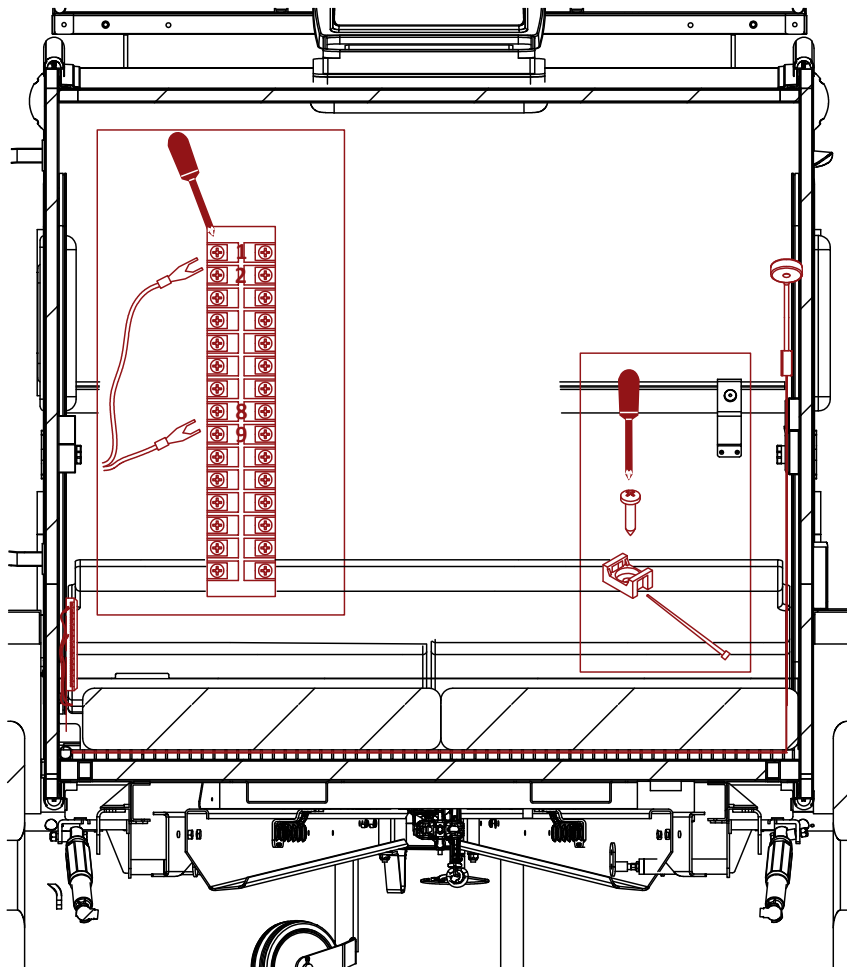
3. Place the lamp in the position you prefer. Please check that the set does not interfere. Now fasten the lamp. (Part Used: B and C)



4. Mount the cover again.



5. Our recommendation is to place the wire in the cable tray underneath the seats or at the front of the camper in front of the batteries. There is 6 set of zip tie holders for the wires. Wire RED+ should be connected to the terminal 1 or 2 on the side. BLACK- connected to 8 or 9 on the left side of the terminal. Repeat the process on the opposite side.



*All products that are not mounted by an authorized HeroCamper dealer are at your own risk!*