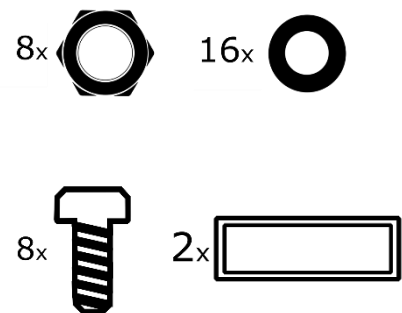
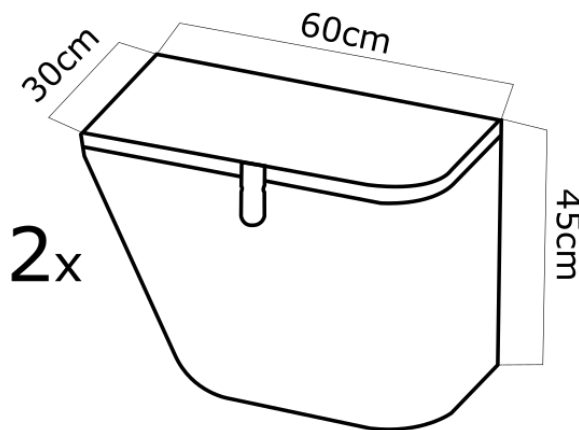


Fenderbox Set

The cool aluminum #Hero Fender boxes are the perfect add-ons to your #HeroCamper. Not only do they provide extra storage in a fix and elegant way, but they also match the fenders, and are easy to handle, lockable and rugged.

Layout



Tools For Installation

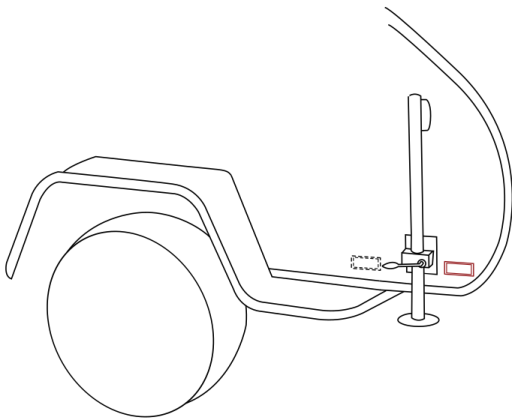


Specifications

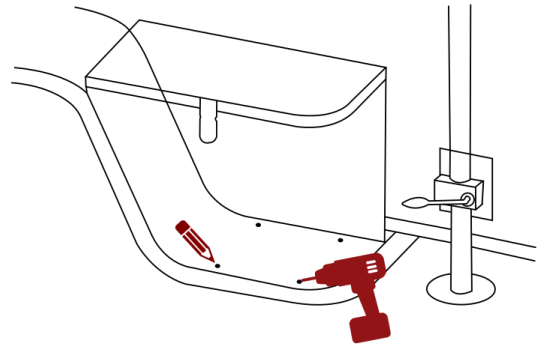
Material	Aluminium
Color	Black
Size(LxWxH)	60x30x45cm
Weight	6kg / unit
Volume	57L - 1927 Oz / unit
Product No.	HC.0255.A

Installation Guide

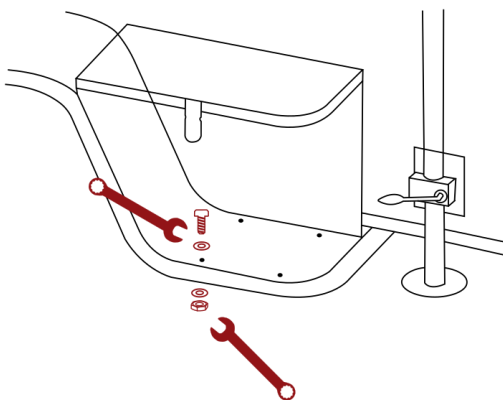
1. Remove old reflector and mount the new one to the opposite side of the support leg to make it visible.



2. Place the fender box on the fender. Mark the 4 predrilled holes onto the fender and use a Ø8mm drill.



3. Use the bolts, washers, and nuts like below and tighten with two M13 wrenches.



4. We recommend tightening in a cross pattern like showed below.

